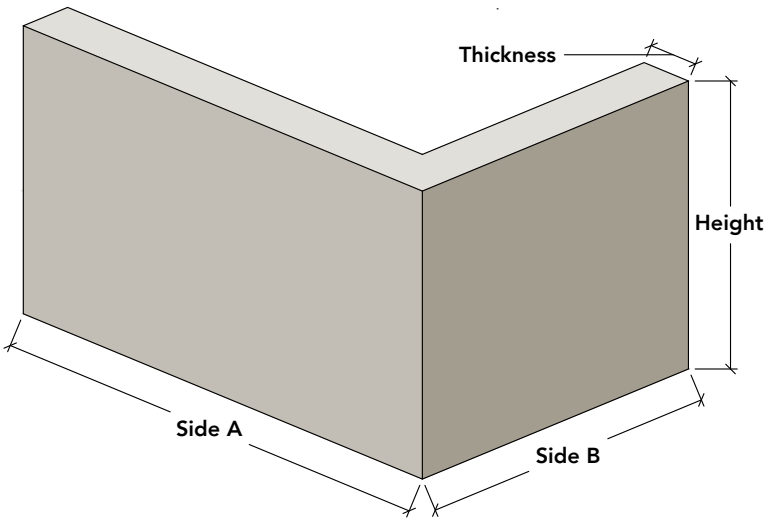
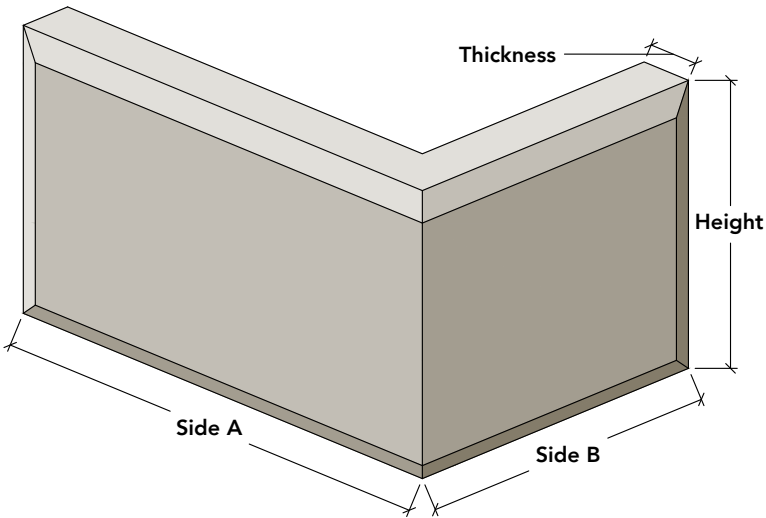


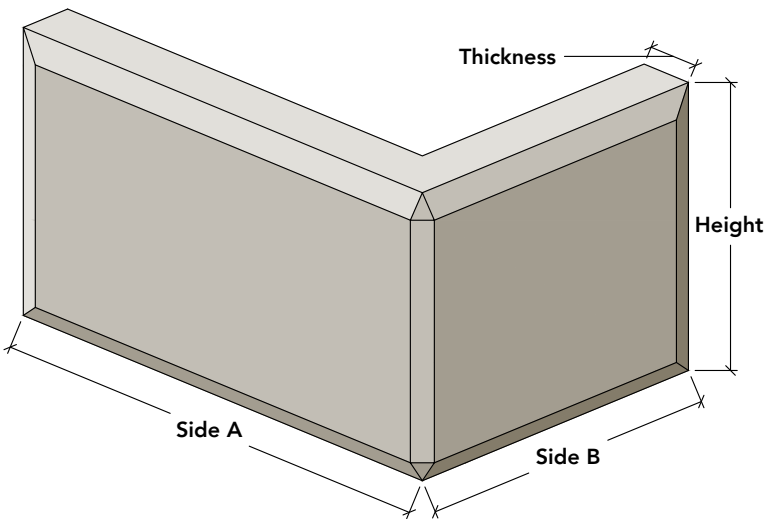
# QUOINS



Product Number	Side A	Side B	Height	Thickness
Q1-2412	24	12	12	2
Q1-2424	24	24	12	2
Q1-2012	20	12	20	3
Q1-2020	20	20	20	3



Product Number	Side A	Side B	Height	Thickness
Q2-2412	24	12	12	2
Q2-2424	24	24	12	2
Q2-2012	20	12	20	3
Q2-2020	20	20	20	3



Product Number	Side A	Side B	Height	Thickness
Q3-2412	24	12	12	2
Q3-2424	24	24	12	2
Q3-2012	20	12	20	3
Q3-2020	20	20	20	3

## LANDMARK STONE

1630 KATHLEEN AVENUE, SACRAMENTO, CA 95815  
 916-548-8232 • contact@landmarkcaststone.com • www.landmarkcaststone.com

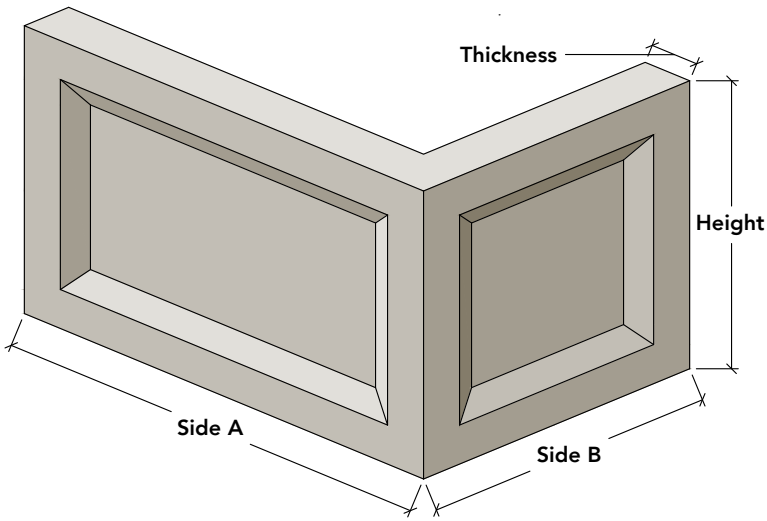
SCALE

1:8

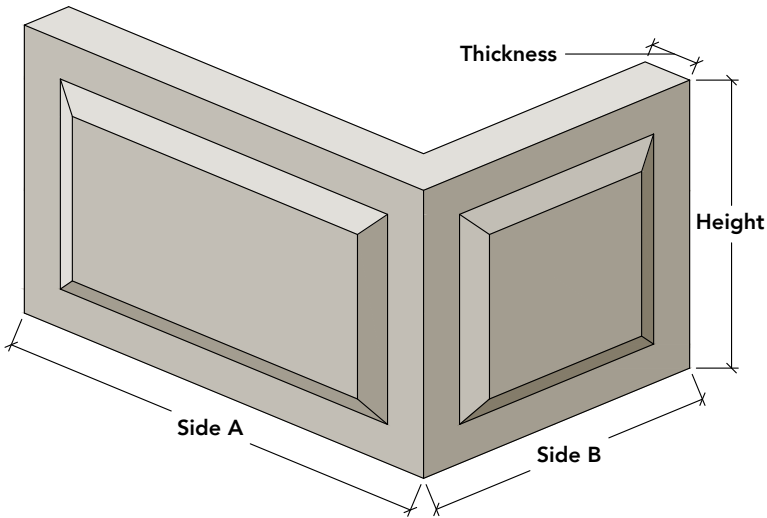
SECTION

QN1

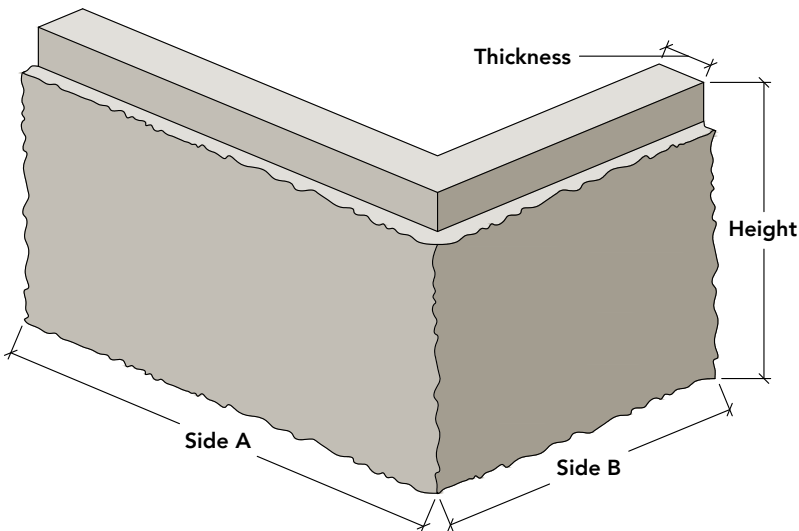
# QUOINS



Product Number	Side A	Side B	Height	Thickness
Q4-2412	24	12	12	2
Q4-2424	24	24	12	2
Q4-2012	20	12	20	3
Q4-2020	20	20	20	3



Product Number	Side A	Side B	Height	Thickness
Q5-2412	24	12	12	2
Q5-2424	24	24	12	2
Q5-2012	20	12	20	3
Q5-2020	20	20	20	3



Product Number	Side A	Side B	Height	Thickness
Q6-2412	24	12	12	2
Q6-2424	24	24	12	2
Q6-2012	20	12	20	3
Q6-2020	20	20	20	3

**LANDMARK STONE**

1630 KATHLEEN AVENUE, SACRAMENTO, CA 95815  
 916-548-8232 • contact@landmarkcaststone.com • www.landmarkcaststone.com

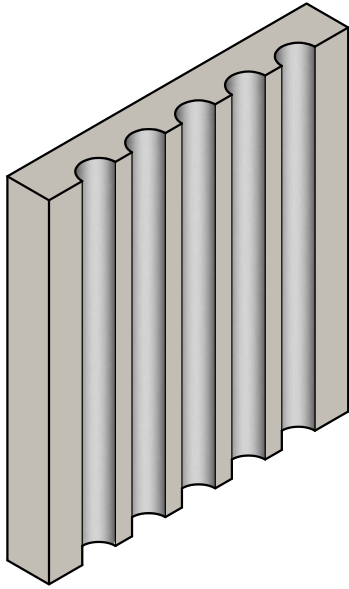
SCALE

**1:8**

SECTION

**QN2**

Q10



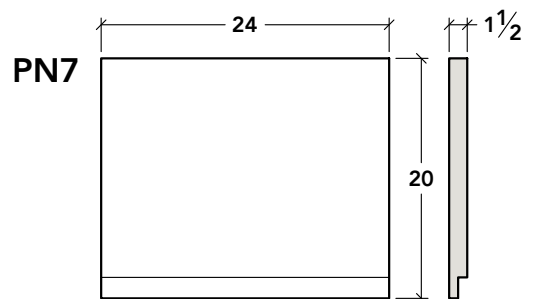
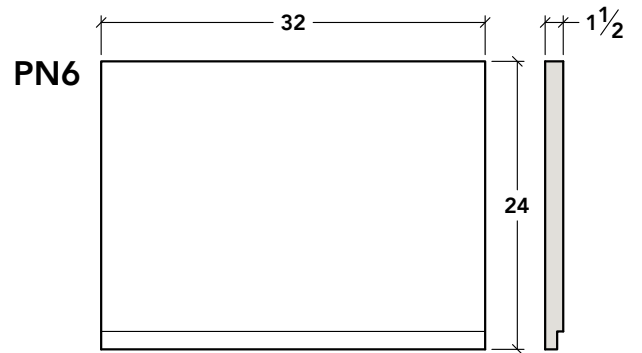
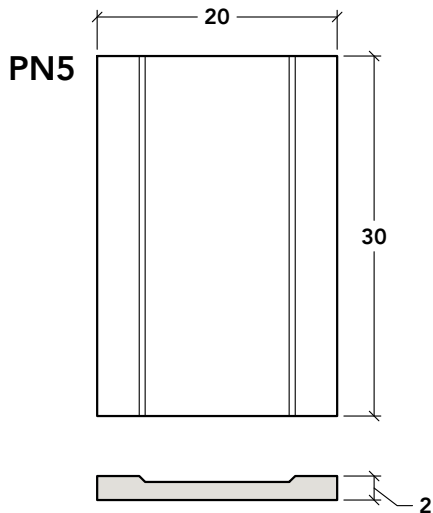
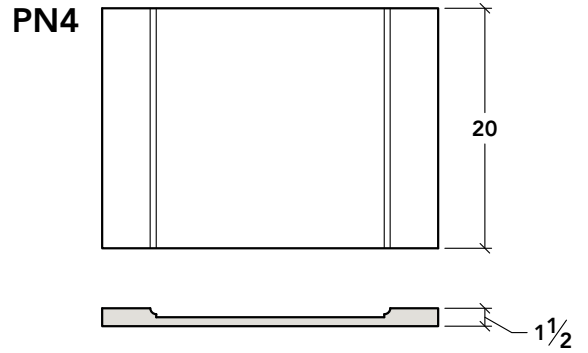
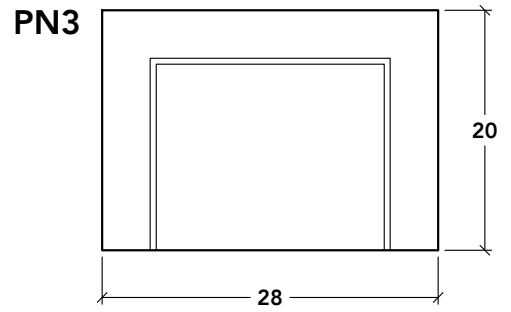
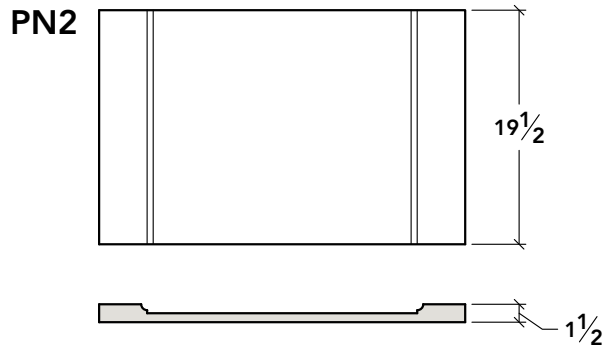
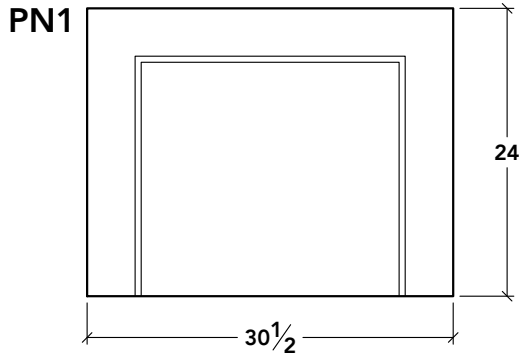
**LANDMARK STONE**

1630 KATHLEEN AVENUE, SACRAMENTO, CA 95815

916-548-8232 • [contact@landmarkcaststone.com](mailto:contact@landmarkcaststone.com) • [www.landmarkcaststone.com](http://www.landmarkcaststone.com)

SCALE  
**1:10**

SECTION  
**QN3**



**LANDMARK STONE**

1630 KATHLEEN AVENUE, SACRAMENTO, CA 95815  
 916-548-8232 • contact@landmarkcaststone.com • www.landmarkcaststone.com

SCALE  
**1:16**

SECTION  
**PN1**