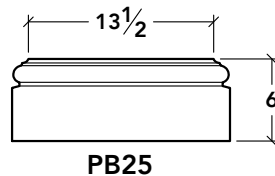
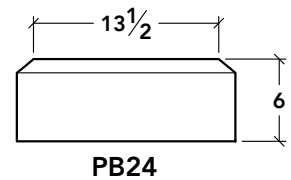
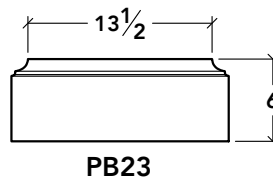
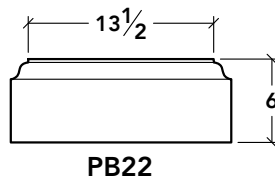
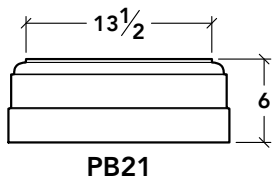
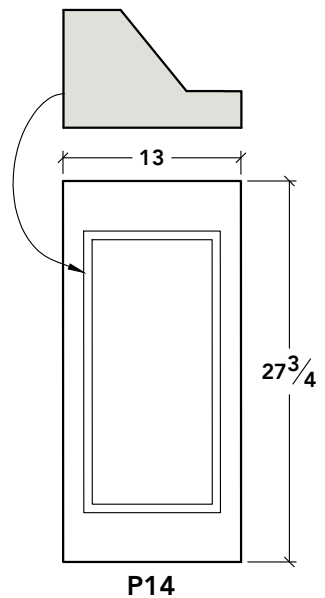
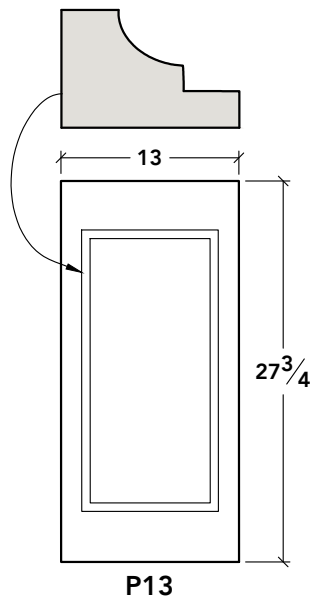
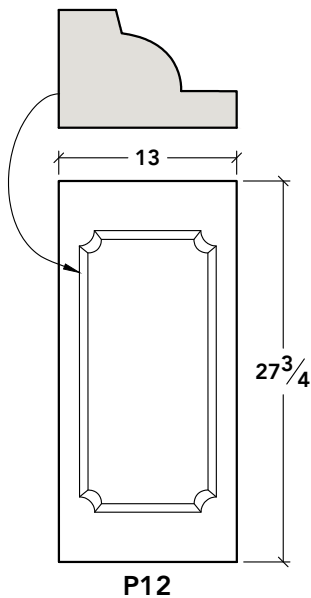
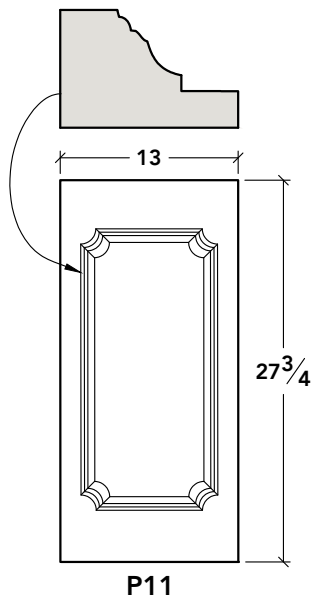
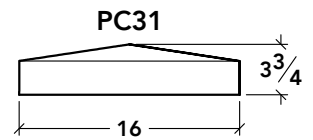
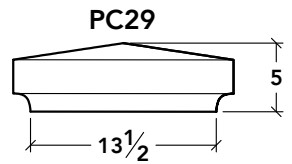
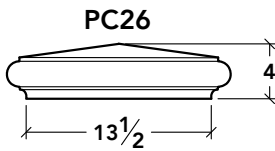
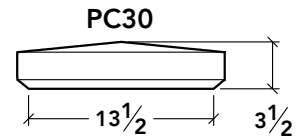
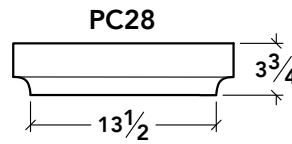
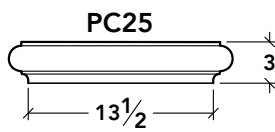
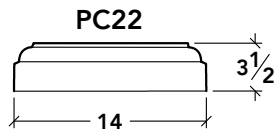
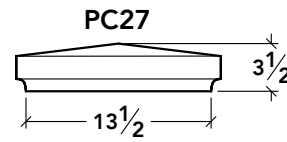
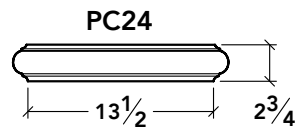
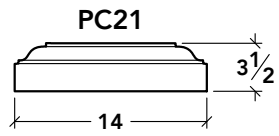


PIER POSTS



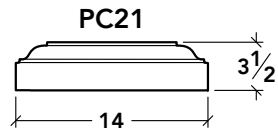
LANDMARK STONE

1630 KATHLEEN AVENUE, SACRAMENTO, CA 95815
916-548-8232 • contact@landmarkcaststone.com • www.landmarkcaststone.com

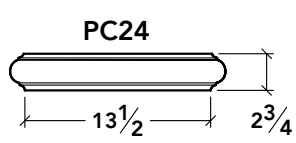
SCALE
1:14

SECTION
PP1

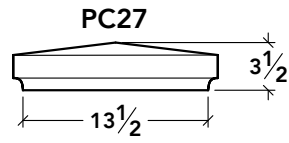
PIER POSTS



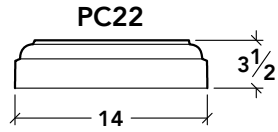
PC21



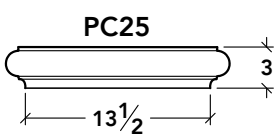
PC24



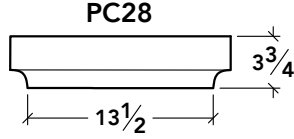
PC27



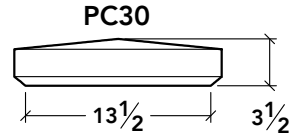
PC22



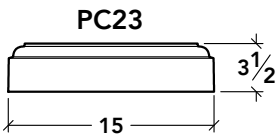
PC25



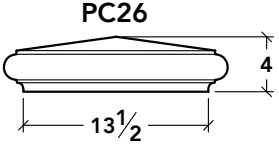
PC28



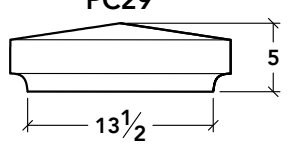
PC30



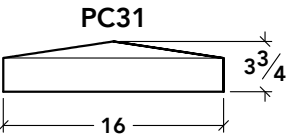
PC23



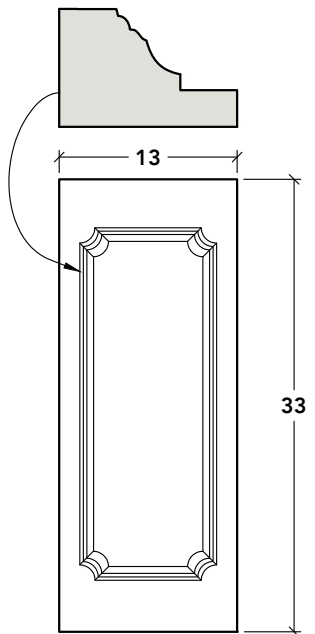
PC26



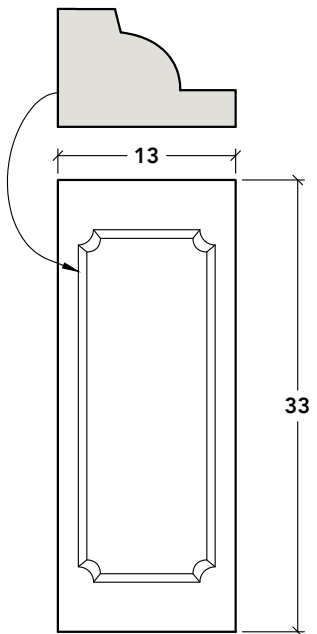
PC29



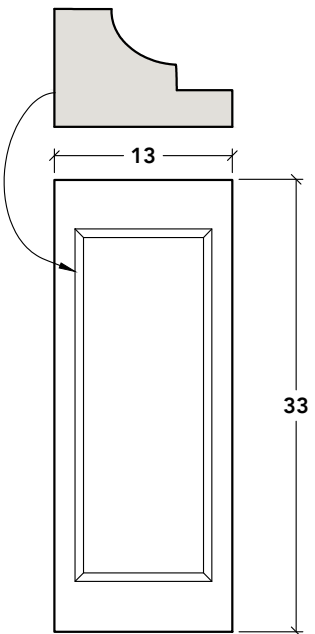
PC31



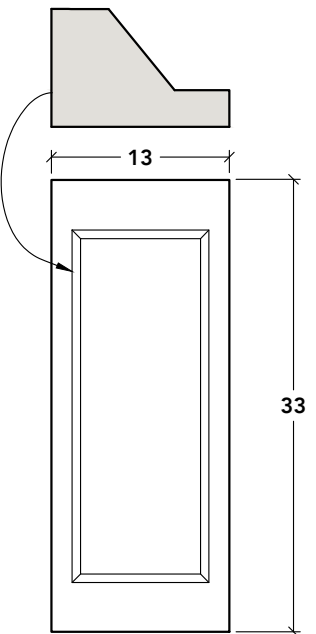
P15



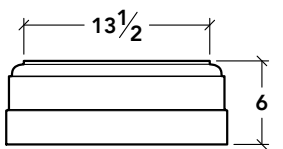
P16



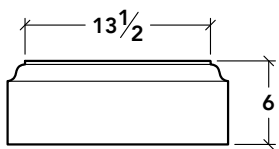
P17



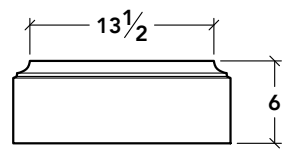
P18



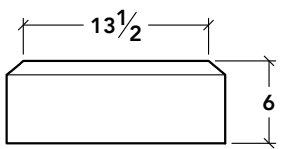
PB21



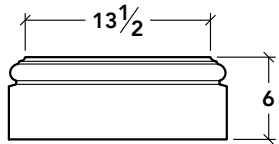
PB22



PB23



PB24



PB25

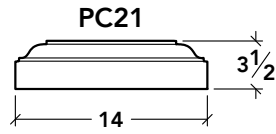
LANDMARK STONE

1630 KATHLEEN AVENUE, SACRAMENTO, CA 95815
916-548-8232 • contact@landmarkcaststone.com • www.landmarkcaststone.com

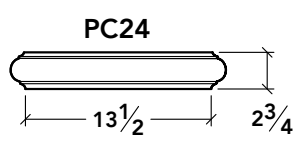
SCALE
1:14

SECTION
PP2

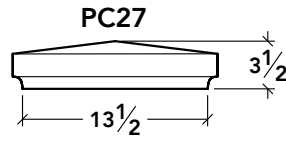
PIER POSTS



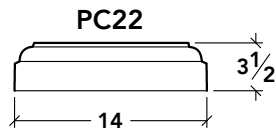
PC21



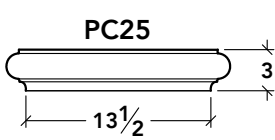
PC24



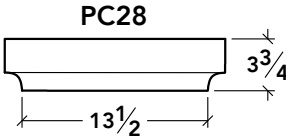
PC27



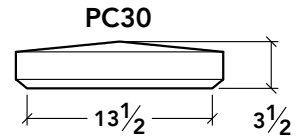
PC22



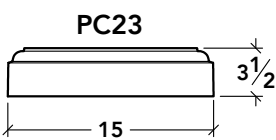
PC25



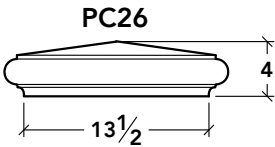
PC28



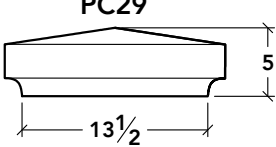
PC30



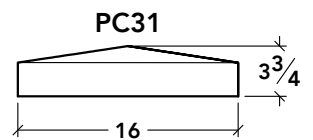
PC23



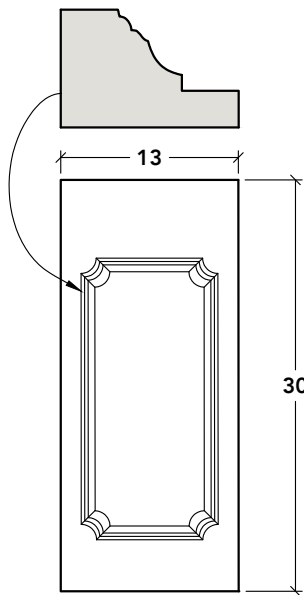
PC26



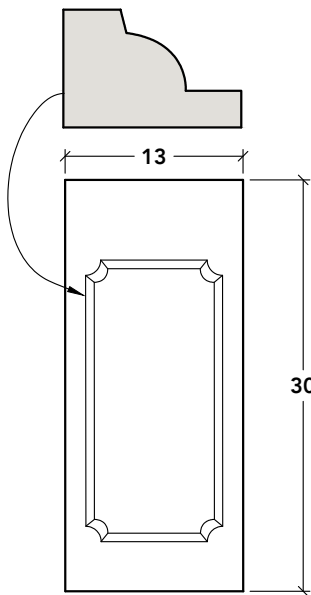
PC29



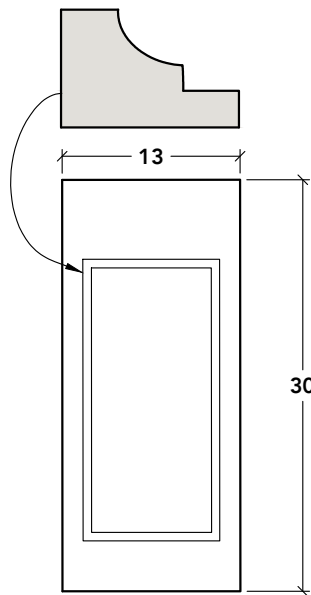
PC31



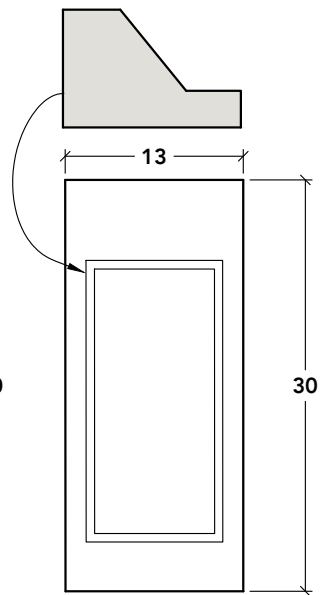
P19



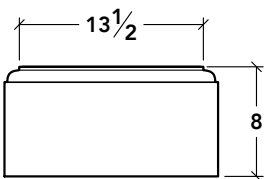
P20



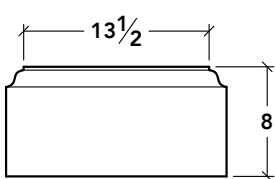
P21



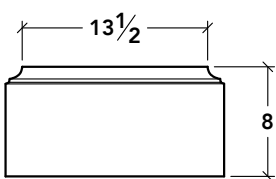
P22



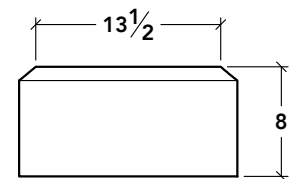
PB26



PB27



PB28



PB29

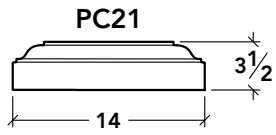
LANDMARK STONE

1630 KATHLEEN AVENUE, SACRAMENTO, CA 95815
916-548-8232 • contact@landmarkcaststone.com • www.landmarkcaststone.com

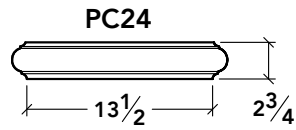
SCALE
1:14

SECTION
PP3

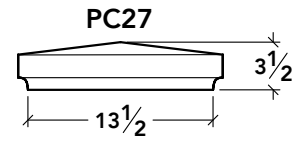
PIER POSTS



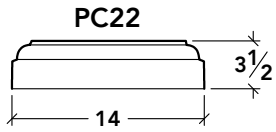
PC21



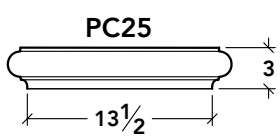
PC24



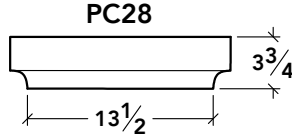
PC27



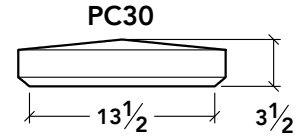
PC22



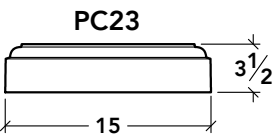
PC25



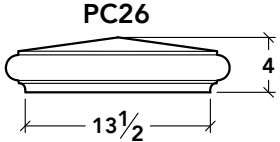
PC28



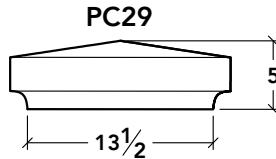
PC30



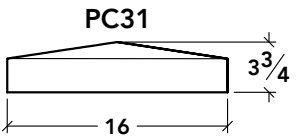
PC23



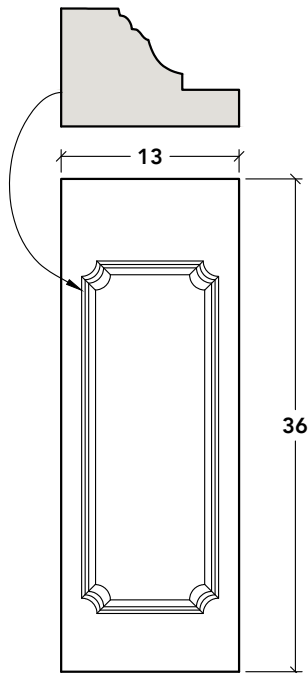
PC26



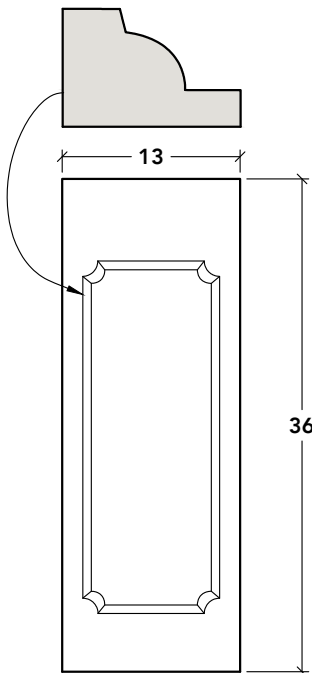
PC29



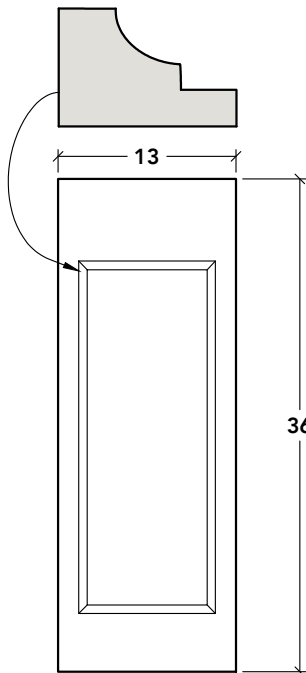
PC31



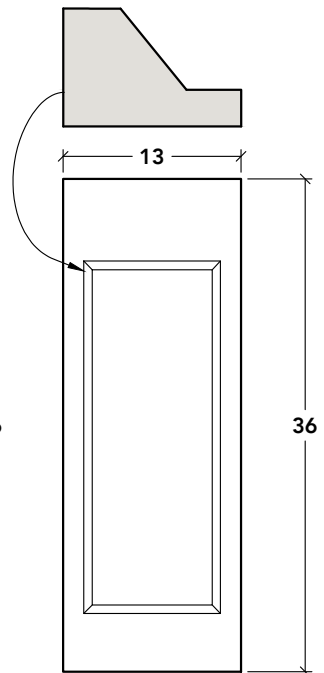
P23



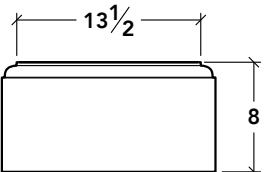
P24



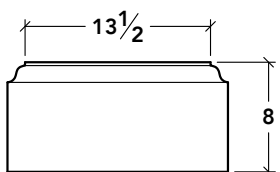
P25



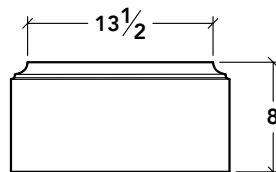
P26



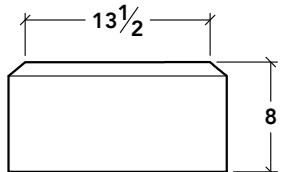
PB26



PB27



PB28



PB29

LANDMARK STONE

1630 KATHLEEN AVENUE, SACRAMENTO, CA 95815

916-548-8232 • contact@landmarkcaststone.com • www.landmarkcaststone.com

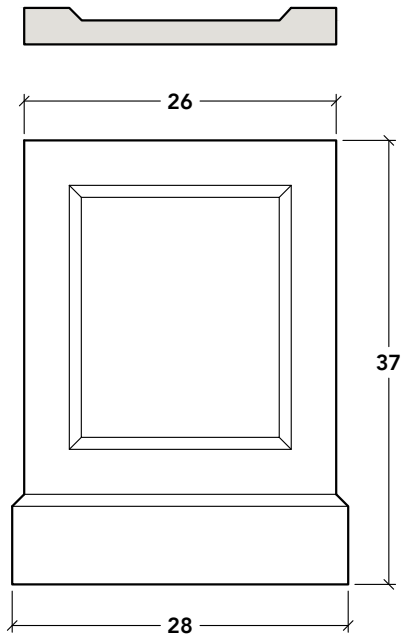
SCALE

1:14

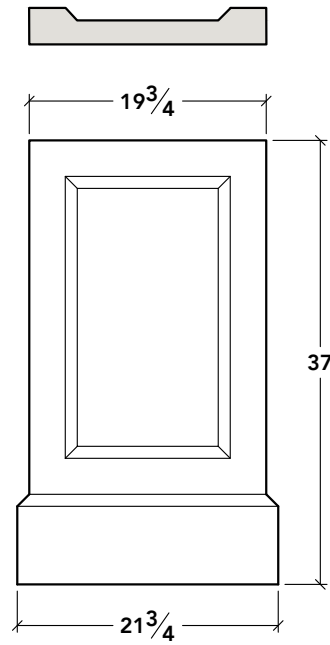
SECTION

PP4

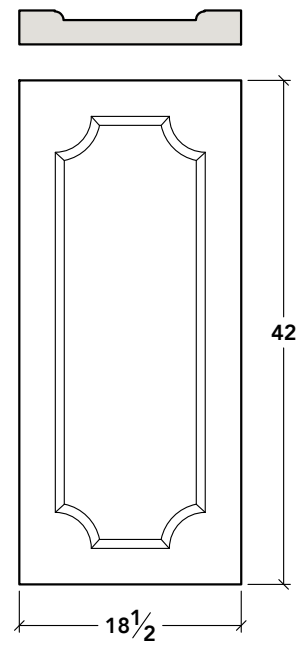
PIER POSTS



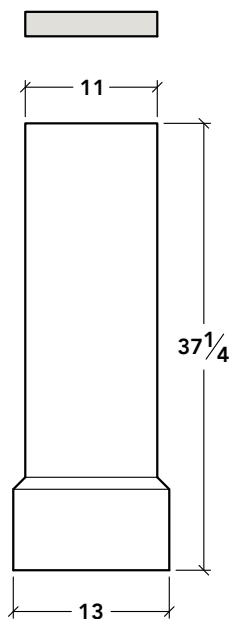
P1



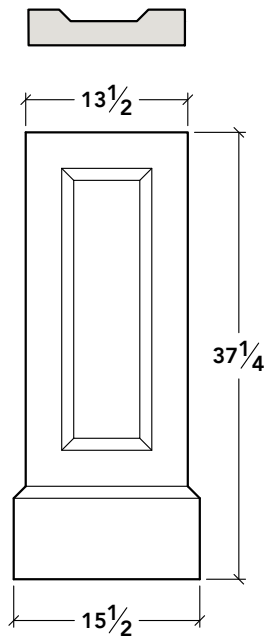
P2



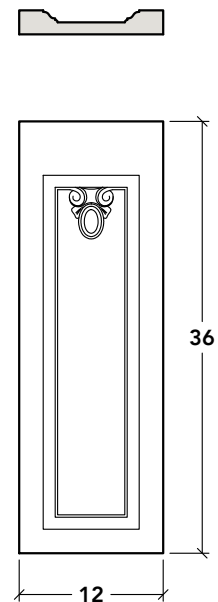
P3



P4



P5



P6

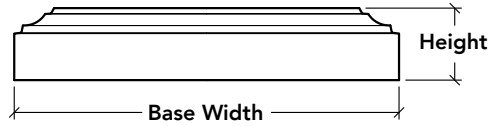
LANDMARK STONE

1630 KATHLEEN AVENUE, SACRAMENTO, CA 95815
916-548-8232 • contact@landmarkcaststone.com • www.landmarkcaststone.com

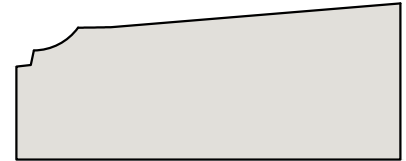
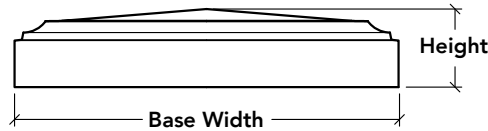
SCALE
1:14

SECTION
PP4

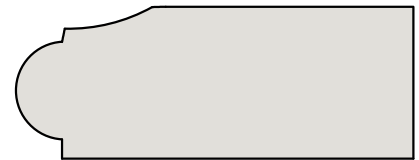
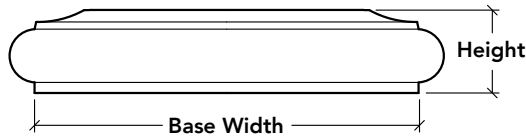
PIER CAPS & BASES



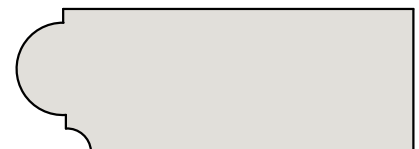
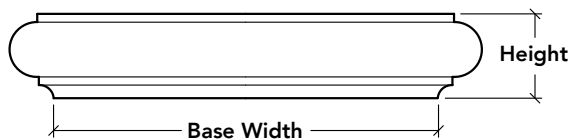
CODE	PC50a	PC50c	PC50e	PC50f	PC50h	PC50k	PC50r	PC50u	PC50w	PC50x	PC50z
BASE WIDTH	12	14.5	16.5	18	22	26.5	28	30	32	36	40
HEIGHT	3	3	3	3	3	3	3	3	3	3	3



CODE	PC51a	PC51c	PC51e	PC51f	PC51h	PC51k	PC51r	PC51u	PC51w	PC51x	PC51z
BASE WIDTH	12	14.5	16.5	18	22	26.5	28	30	32	36	40
HEIGHT	3 ¹ / ₈	3 ¹ / ₄	3 ³ / ₄	3 ³ / ₈	3 ¹ / ₂	3 ⁵ / ₈	3 ³ / ₄	3 ⁷ / ₈	3 ⁷ / ₈	4 ¹ / ₈	4 ¹ / ₄



CODE	PC52a	PC52c	PC52e	PC52f	PC52h	PC52k	PC52r	PC52u	PC52w	PC52x	PC52z
BASE WIDTH	12	14.5	16.5	18	22	26.5	28	30	32	36	40
HEIGHT	3 ¹ / ₂	3 ¹ / ₂	3 ¹ / ₂	3 ¹ / ₂	3 ¹ / ₂	3 ¹ / ₂	3 ¹ / ₂	3 ¹ / ₂	3 ¹ / ₂	3 ¹ / ₂	3 ¹ / ₂



CODE	PC53a	PC53c	PC53e	PC53f	PC53h	PC53k	PC53r	PC53u	PC53w	PC53x	PC53z
BASE WIDTH	12	14.5	16.5	18	22	26.5	28	30	32	36	40
HEIGHT	3 ¹ / ₂	3 ¹ / ₂	3 ¹ / ₂	3 ¹ / ₂	3 ¹ / ₂	3 ¹ / ₂	3 ¹ / ₂	3 ¹ / ₂	3 ¹ / ₂	3 ¹ / ₂	3 ¹ / ₂

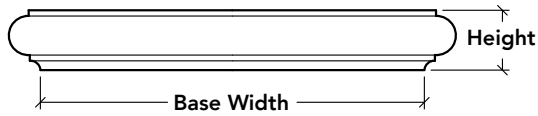
LANDMARK STONE

1630 KATHLEEN AVENUE, SACRAMENTO, CA 95815
 916-548-8232 • contact@landmarkcaststone.com • www.landmarkcaststone.com

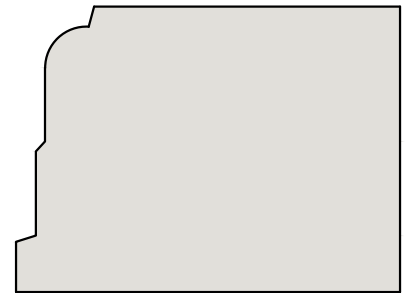
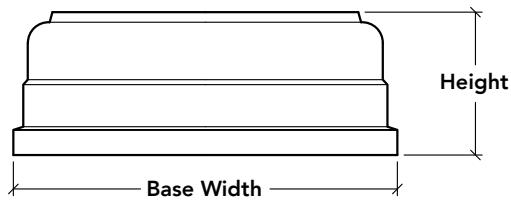
SCALE
NTS

SECTION
PCB1

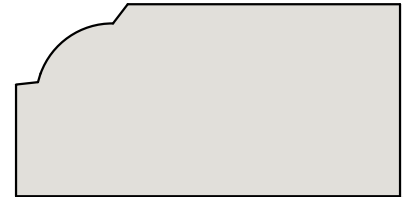
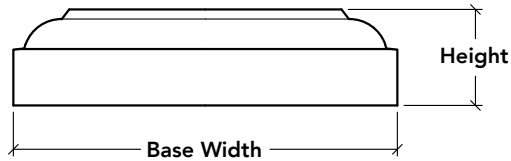
PIER CAPS & BASES



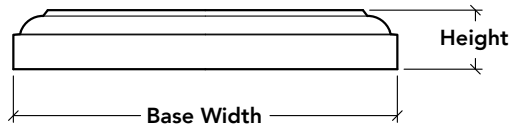
CODE	PC54a	PC54c	PC54e	PC54f	PC54h	PC54k	PC54r	PC54u	PC54w	PC54x	PC54z
BASE WIDTH	12	14.5	16.5	18	22	26.5	28	30	32	36	40
HEIGHT	2½	2½	2½	2½	2½	2½	2½	2½	2½	2½	2½



CODE	PC55a	PC55c	PC55e	PC55f	PC55h	PC55k	PC55r	PC55u	PC55w	PC55x	PC55z
BASE WIDTH	12	14.5	16.5	18	22	26.5	28	30	32	36	40
HEIGHT	6	6	6	6	6	6	6	6	6	6	6



CODE	PC56a	PC56c	PC56e	PC56f	PC56h	PC56k	PC56r	PC56u	PC56w	PC56x	PC56z
BASE WIDTH	12	14.5	16.5	18	22	26.5	28	30	32	36	40
HEIGHT	4	4	4	4	4	4	4	4	4	4	4



CODE	PC57a	PC57c	PC57e	PC57f	PC57h	PC57k	PC57r	PC57u	PC57w	PC57x	PC57z
BASE WIDTH	12	14.5	16.5	18	22	26.5	28	30	32	36	40
HEIGHT	2½	2½	2½	2½	2½	2½	2½	2½	2½	2½	2½

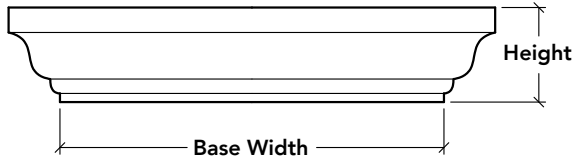
LANDMARK STONE

1630 KATHLEEN AVENUE, SACRAMENTO, CA 95815
 916-548-8232 • contact@landmarkcaststone.com • www.landmarkcaststone.com

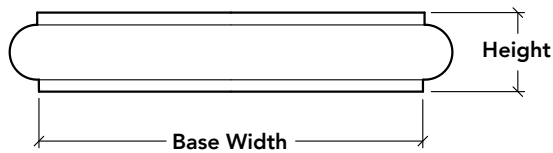
SCALE
NTS

SECTION
PCB2

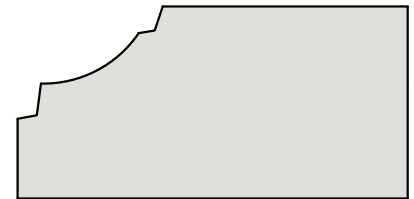
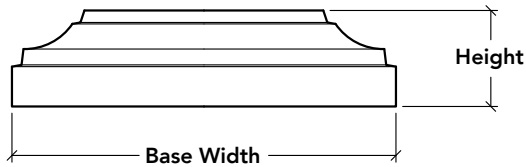
PIER CAPS & BASES



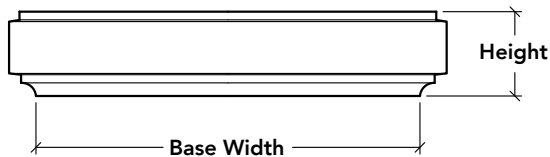
CODE	PC58a	PC58c	PC58e	PC58f	PC58h	PC58k	PC58r	PC58u	PC58w	PC58x	PC58z
BASE WIDTH	12	14.5	16.5	18	22	26.5	28	30	32	36	40
HEIGHT	4	4	4	4	4	4	4	4	4	4	4



CODE	PC59a	PC59c	PC59e	PC59f	PC59h	PC59k	PC59r	PC59u	PC59w	PC59x	PC59z
BASE WIDTH	12	14.5	16.5	18	22	26.5	28	30	32	36	40
HEIGHT	3¼	3¼	3¼	3¼	3¼	3¼	3¼	3¼	3¼	3¼	3¼



CODE	PC60a	PC60c	PC60e	PC60f	PC60h	PC60k	PC60r	PC60u	PC60w	PC60x	PC60z
BASE WIDTH	12	14.5	16.5	18	22	26.5	28	30	32	36	40
HEIGHT	4	4	4	4	4	4	4	4	4	4	4



CODE	PC61a	PC61c	PC61e	PC61f	PC61h	PC61k	PC61r	PC61u	PC61w	PC61x	PC61z
BASE WIDTH	12	14.5	16.5	18	22	26.5	28	30	32	36	40
HEIGHT	3½	3½	3½	3½	3½	3½	3½	3½	3½	3½	3½

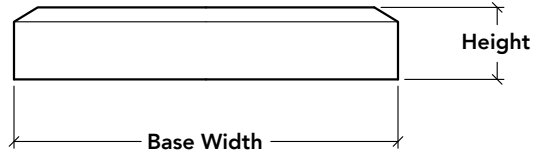
LANDMARK STONE

1630 KATHLEEN AVENUE, SACRAMENTO, CA 95815
 916-548-8232 • contact@landmarkcaststone.com • www.landmarkcaststone.com

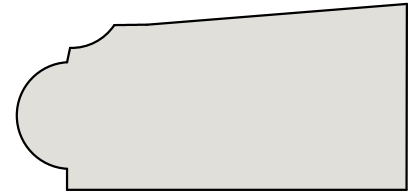
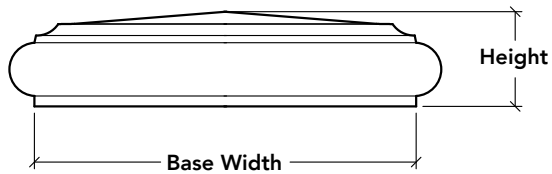
SCALE
NTS

SECTION
PCB3

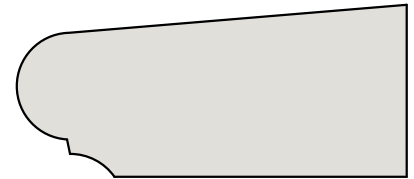
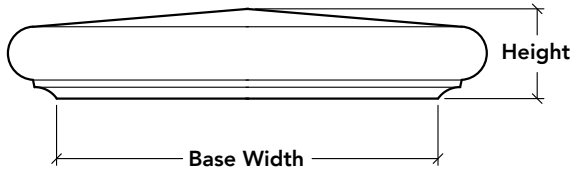
PIER CAPS & BASES



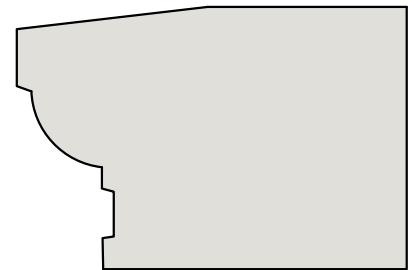
CODE	PC62a	PC62c	PC62e	PC62f	PC62h	PC62k	PC62r	PC62u	PC62w	PC62x	PC62z
BASE WIDTH	12	14.5	16.5	18	22	26.5	28	30	32	36	40
HEIGHT	4	4	4	4	4	4	4	4	4	4	4



CODE	PC70a	PC70c	PC70e	PC70f	PC70h	PC70k	PC70r
BASE WIDTH	14.5	16.5	18	24.5	26	30	36
HEIGHT	3 7/8	4	4	4 1/4	4 3/8	4 1/2	4 3/4



CODE	PC71a	PC71c	PC71e	PC71f	PC71h	PC71k	PC71r
BASE WIDTH	14.5	16.5	18	24.5	26	30	36
HEIGHT	3 5/8	3 3/4	3 7/8	4 1/8	4 1/8	4 3/8	4 5/8



CODE	PC72a	PC72c	PC72e	PC72f	PC72h	PC72k	PC72r
BASE WIDTH	14.5	16.5	18	24.5	26	30	36
HEIGHT	5 1/2	5 1/2	5 1/2	5 1/2	5 1/2	5 1/2	5 1/2

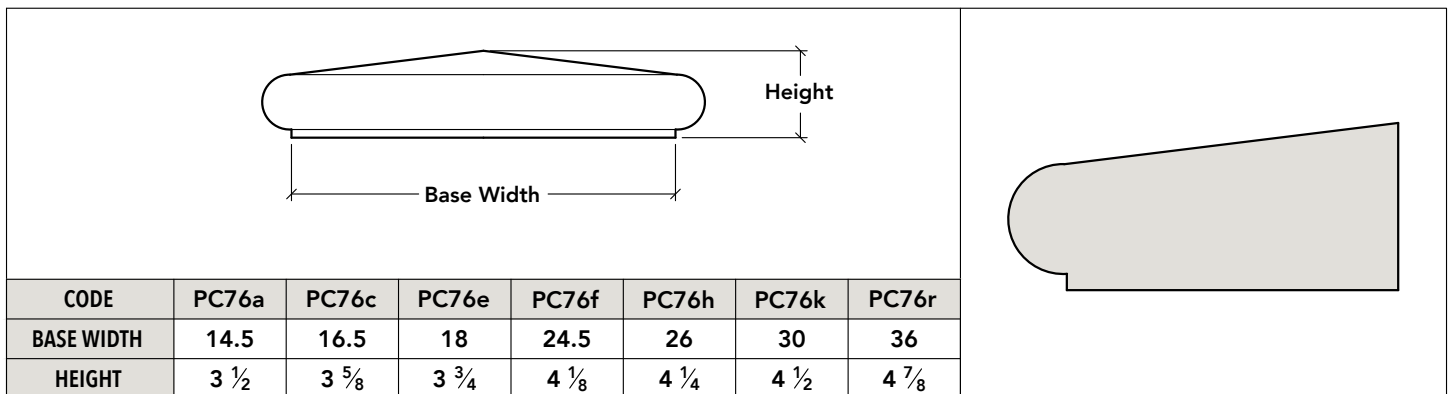
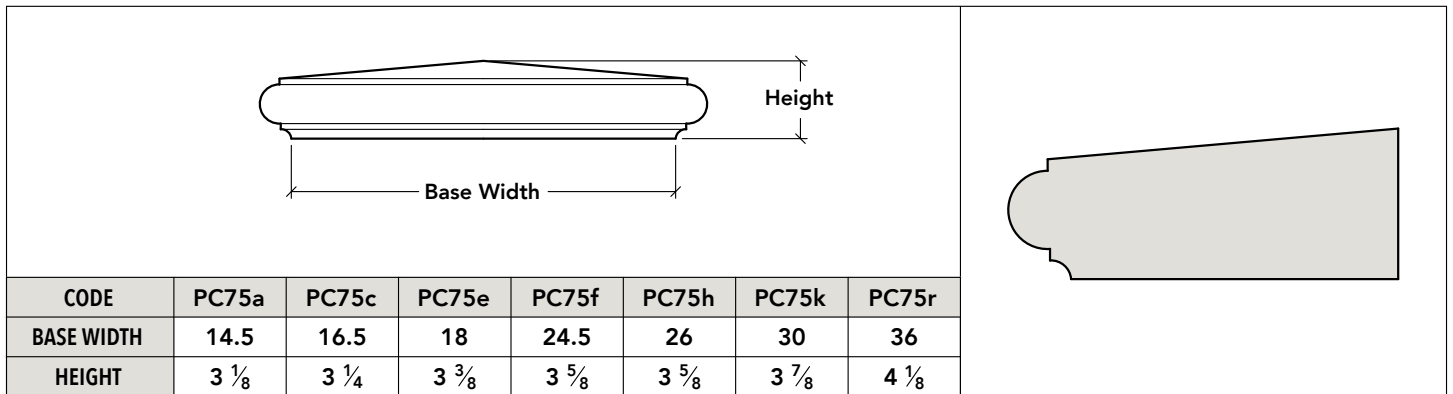
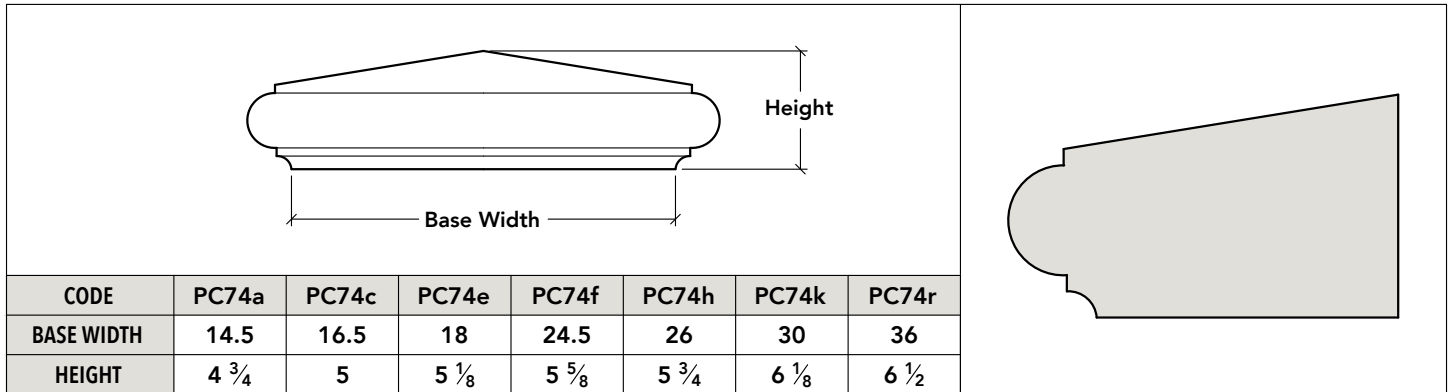
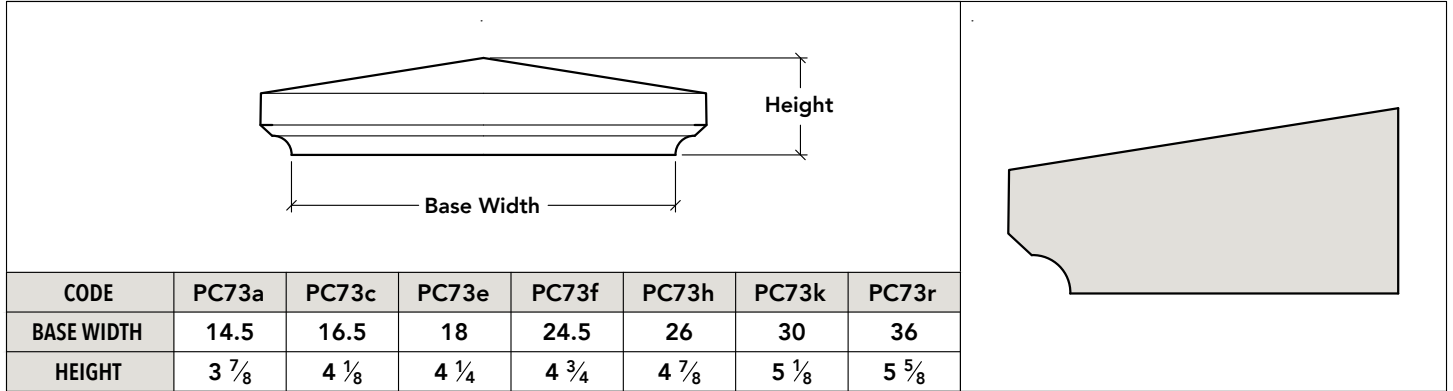
LANDMARK STONE

1630 KATHLEEN AVENUE, SACRAMENTO, CA 95815
 916-548-8232 • contact@landmarkcaststone.com • www.landmarkcaststone.com

SCALE
NTS

SECTION
PCB4

PIER CAPS & BASES



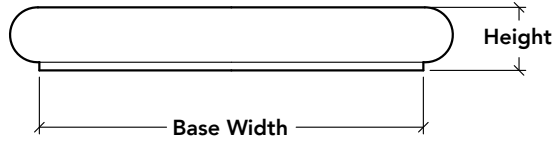
LANDMARK STONE

1630 KATHLEEN AVENUE, SACRAMENTO, CA 95815
 916-548-8232 • contact@landmarkcaststone.com • www.landmarkcaststone.com

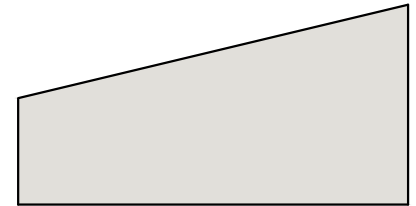
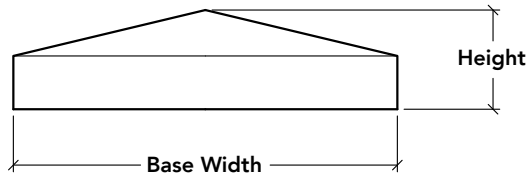
SCALE
NTS

SECTION
PCB5

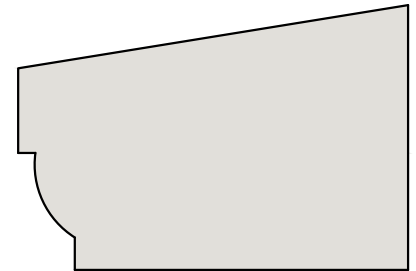
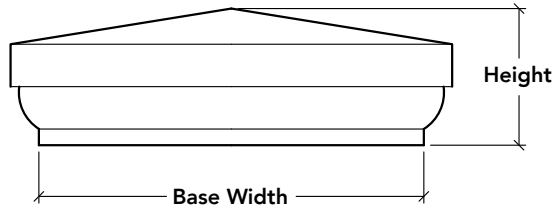
PIER CAPS & BASES



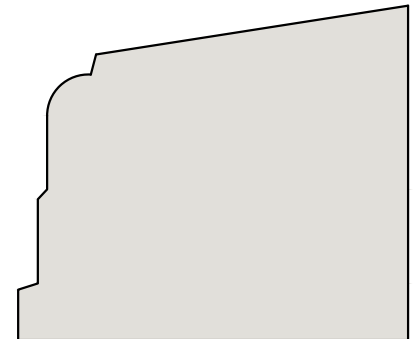
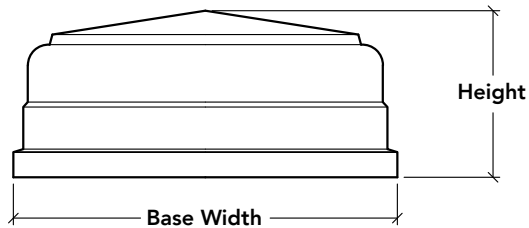
CODE	PC77a	PC77c	PC77e	PC77f	PC77h	PC77k	PC77r
BASE WIDTH	14.5	16.5	18	24.5	26	30	36
HEIGHT	2 5/8	2 5/8	2 5/8	2 5/8	2 5/8	2 5/8	2 5/8



CODE	PC78a	PC78c	PC78e	PC78f	PC78h	PC78k	PC78r
BASE WIDTH	14.5	16.5	18	24.5	26	30	36
HEIGHT	4	4 1/4	4 3/8	5 1/8	5 3/8	5 3/4	6 1/2



CODE	PC80a	PC80c	PC80e	PC80f	PC80h	PC80k
BASE WIDTH	16.5	18	26	30	36	40
HEIGHT	5 3/4	5 7/8	6 1/2	6 7/8	7 1/4	7 5/8



CODE	PC81a	PC81c	PC81e	PC81f	PC81h	PC81k
BASE WIDTH	16.5	18	26	30	36	40
HEIGHT	7	7 1/8	3 3/4	8	8 1/2	8 7/8

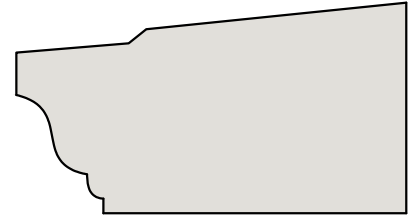
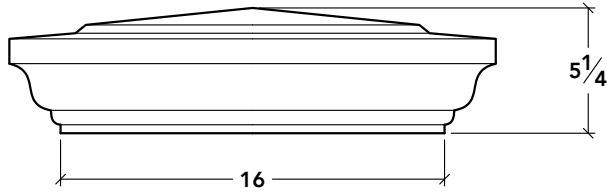
LANDMARK STONE

1630 KATHLEEN AVENUE, SACRAMENTO, CA 95815
 916-548-8232 • contact@landmarkcaststone.com • www.landmarkcaststone.com

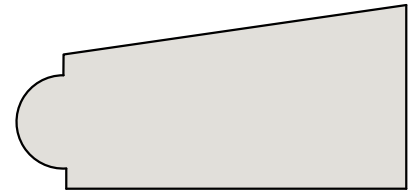
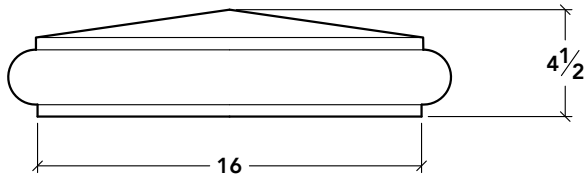
SCALE
NTS

SECTION
PCB6

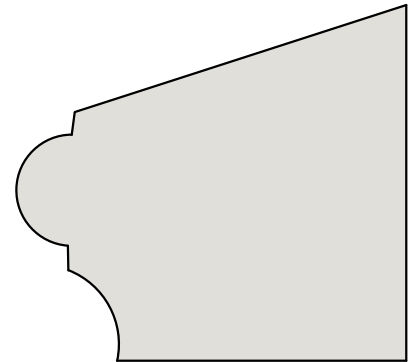
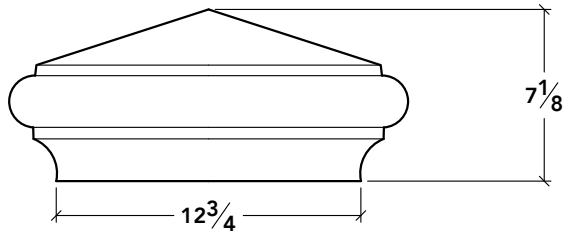
PIER CAPS & BASES



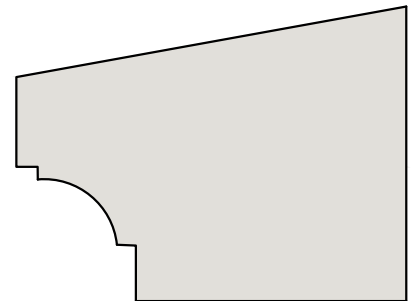
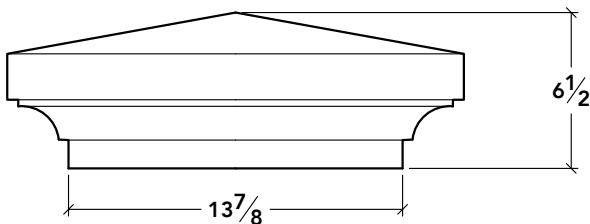
CODE	PC82a	PC82c	PC82e	PC82f	PC82h	PC82k
BASE WIDTH	16.5	18	26	30	36	40
HEIGHT	5 1/4	5 3/8	5 3/4	5 7/8	6 1/4	6 1/2



CODE	PC83a	PC83c	PC83e	PC83f	PC83h	PC83k
BASE WIDTH	16.5	18	26	30	36	40
HEIGHT	4 1/2	4 5/8	5 1/8	5 1/2	5 7/8	6 1/8



CODE	PC84a	PC84c	PC84e	PC84f	PC84h	PC84k
BASE WIDTH	16.5	18	26	30	36	40
HEIGHT	9 1/8	9 3/8	10 5/8	11 1/4	12 1/4	12 7/8



CODE	PC85a	PC85c	PC85e	PC85f	PC85h	PC85k
BASE WIDTH	16.5	18	26	30	36	40
HEIGHT	6 3/4	6 7/8	7 5/8	8	8 1/2	8 7/8

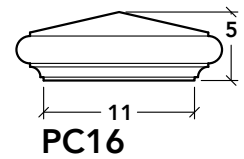
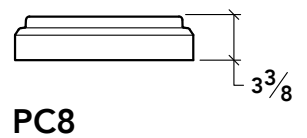
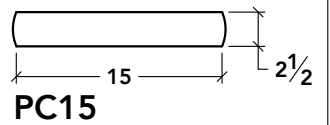
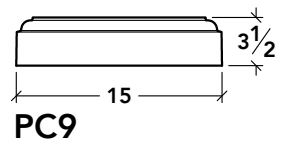
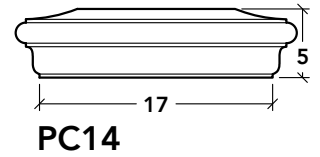
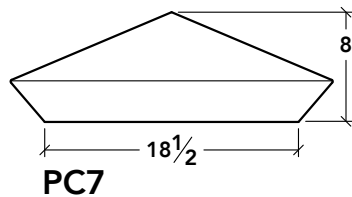
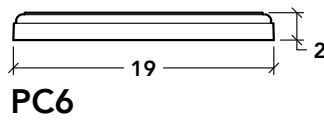
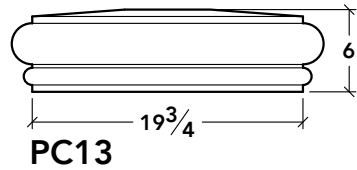
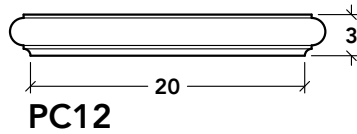
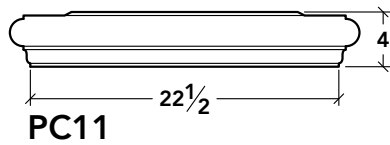
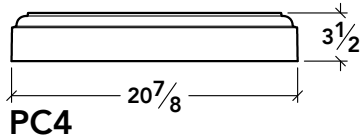
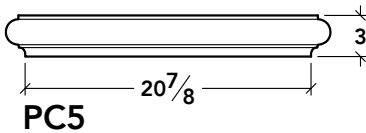
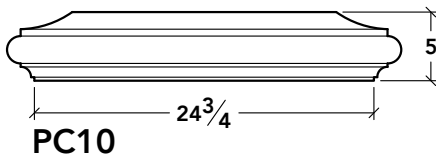
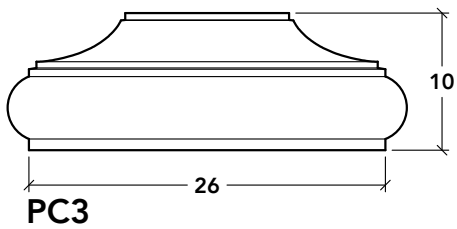
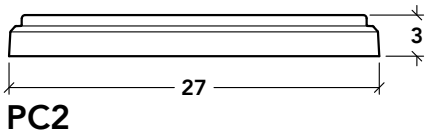
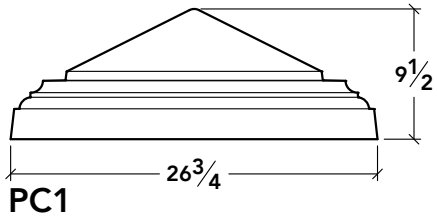
LANDMARK STONE

1630 KATHLEEN AVENUE, SACRAMENTO, CA 95815
 916-548-8232 • contact@landmarkcaststone.com • www.landmarkcaststone.com

SCALE
NTS

SECTION
PCB7

PIER CAPS & BASES



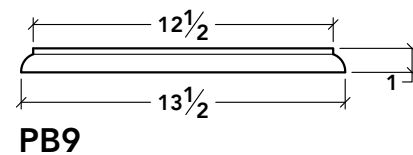
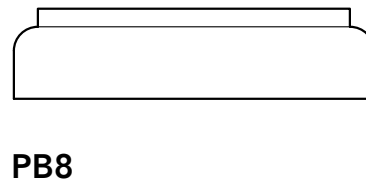
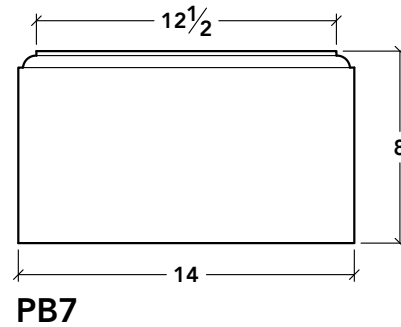
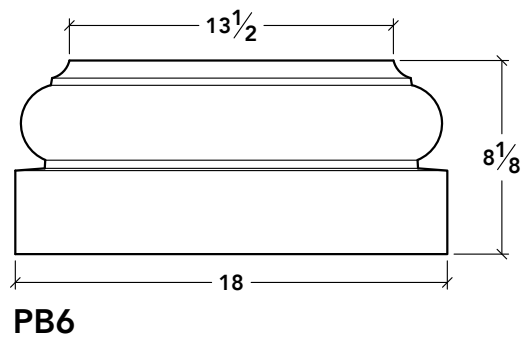
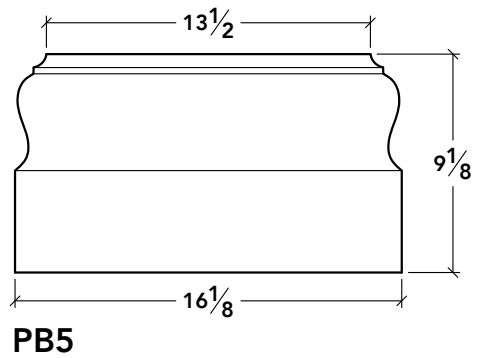
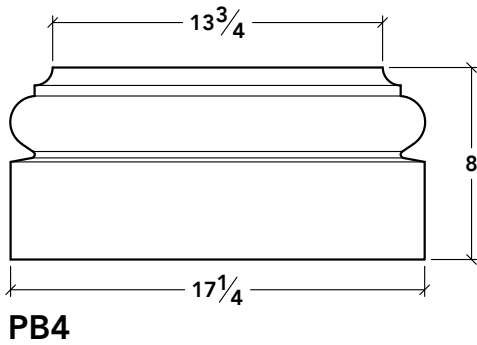
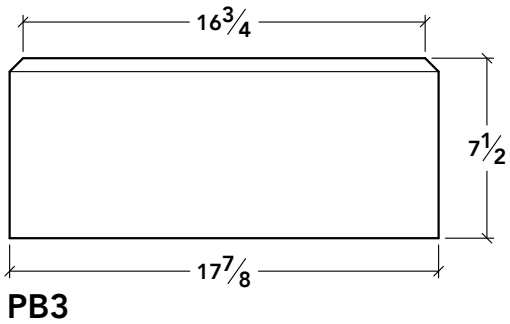
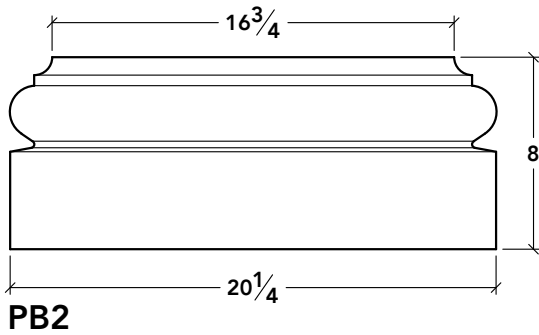
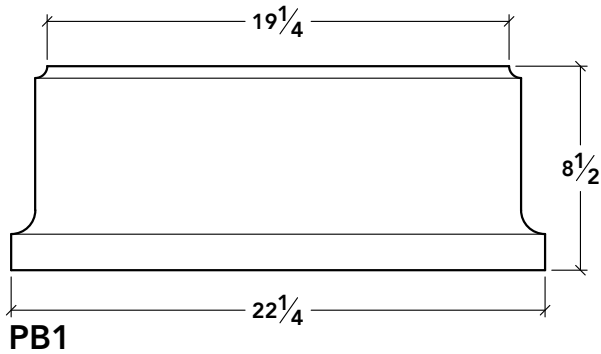
LANDMARK STONE

1630 KATHLEEN AVENUE, SACRAMENTO, CA 95815
916-548-8232 • contact@landmarkcaststone.com • www.landmarkcaststone.com

SCALE
1:14

SECTION
PCB8

PIER CAPS & BASES



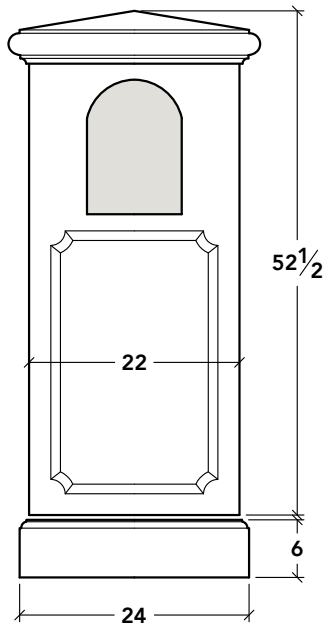
LANDMARK STONE

1630 KATHLEEN AVENUE, SACRAMENTO, CA 95815
916-548-8232 • contact@landmarkcaststone.com • www.landmarkcaststone.com

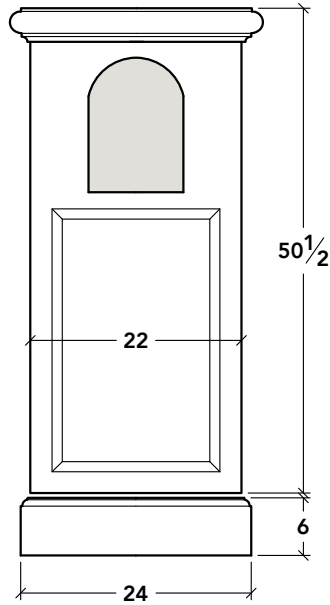
SCALE
1:8

SECTION
PCB9

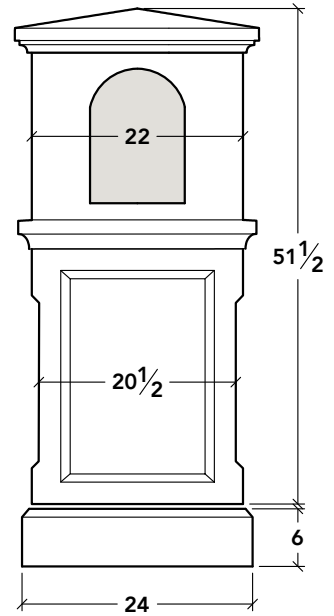
MAILBOX PIERS



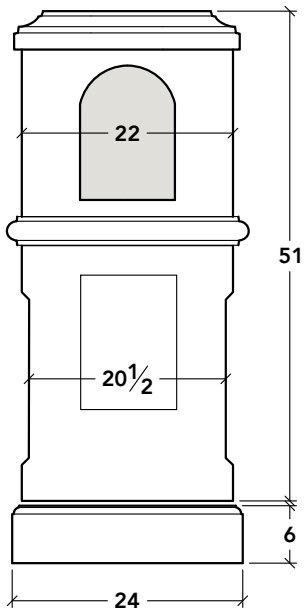
MBX-1



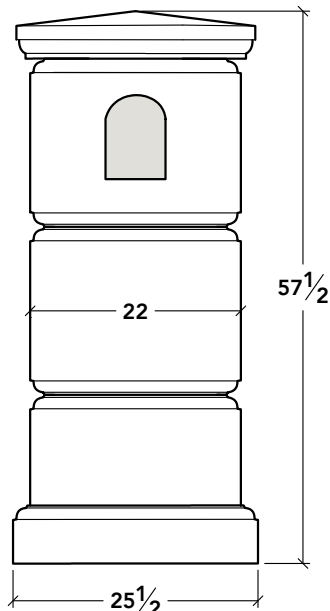
MBX-2



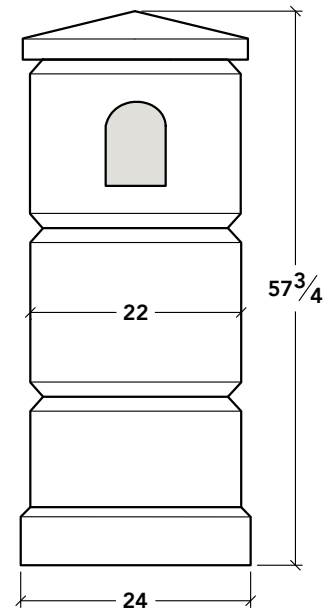
MBX-3



MBX-4



MBX-5



MBX-6

LANDMARK STONE

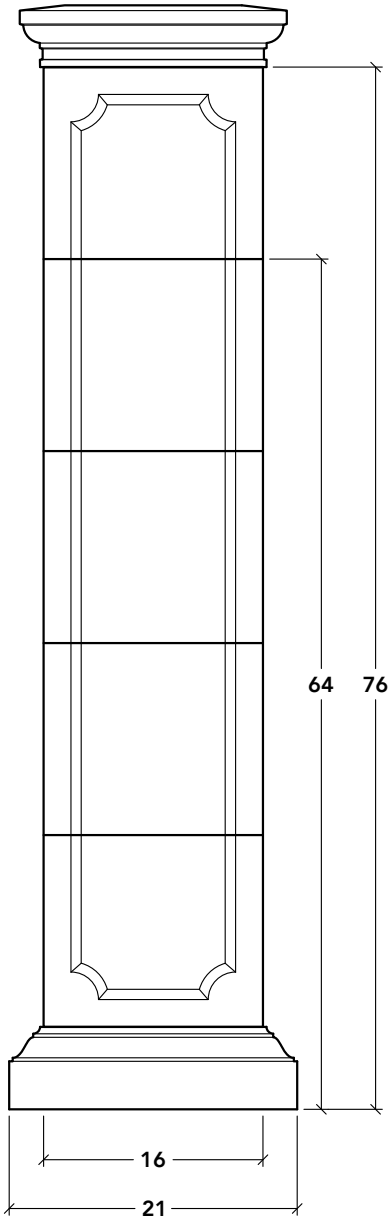
1630 KATHLEEN AVENUE, SACRAMENTO, CA 95815
916-548-8232 • contact@landmarkcaststone.com • www.landmarkcaststone.com

SCALE
1:20

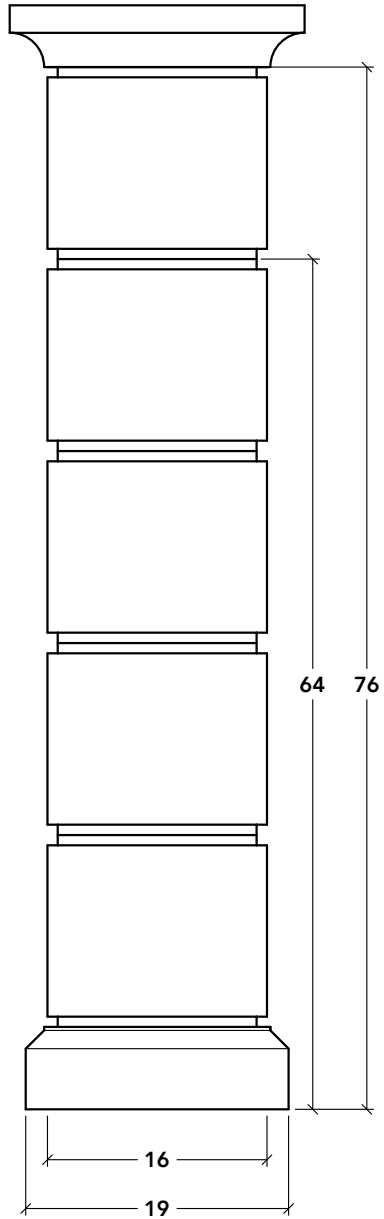
SECTION
MBX1

FENCE PIERS

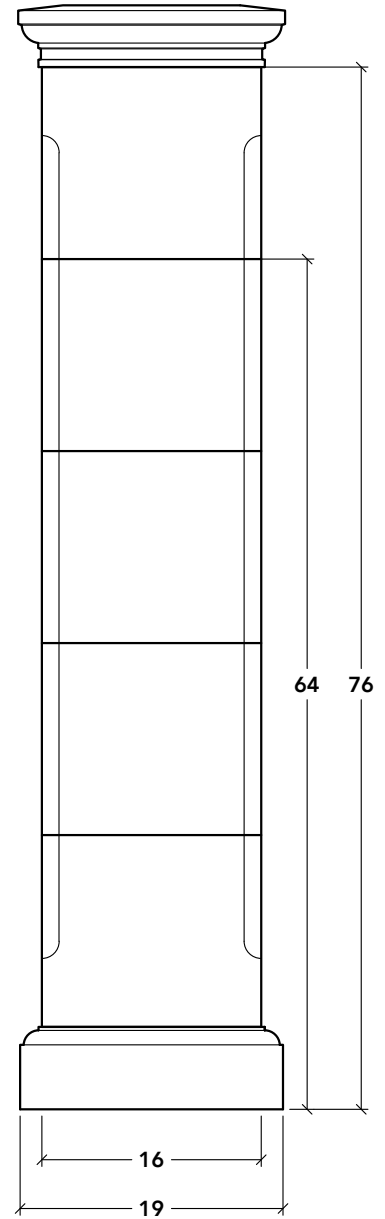
FP1



FP2



FP3



LANDMARK STONE

1630 KATHLEEN AVENUE, SACRAMENTO, CA 95815

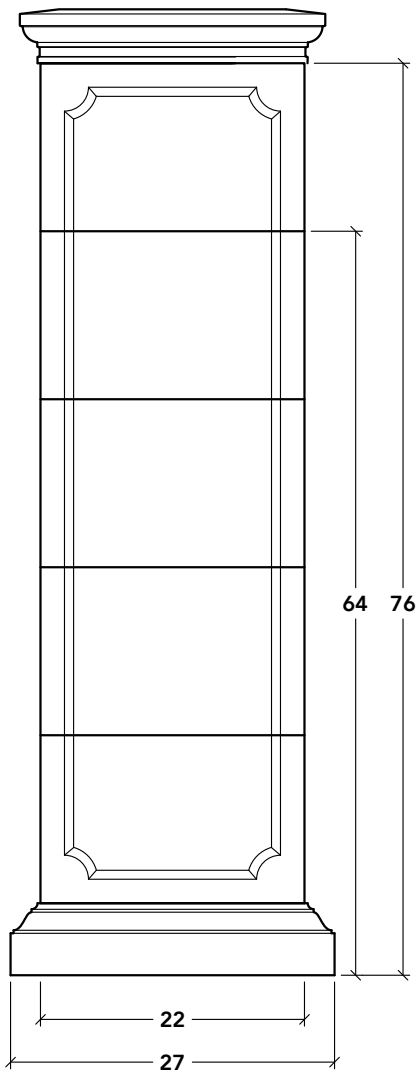
916-548-8232 • contact@landmarkcaststone.com • www.landmarkcaststone.com

SCALE
1:14

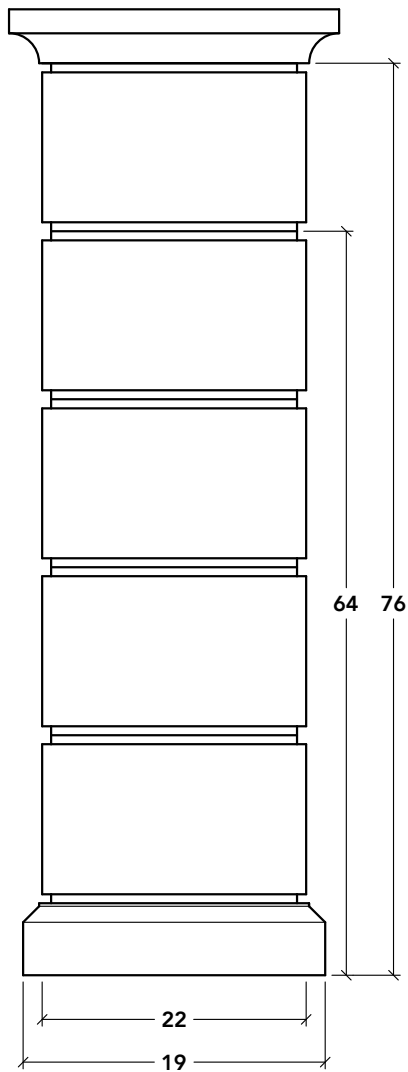
SECTION
FP1

FENCE PIERS

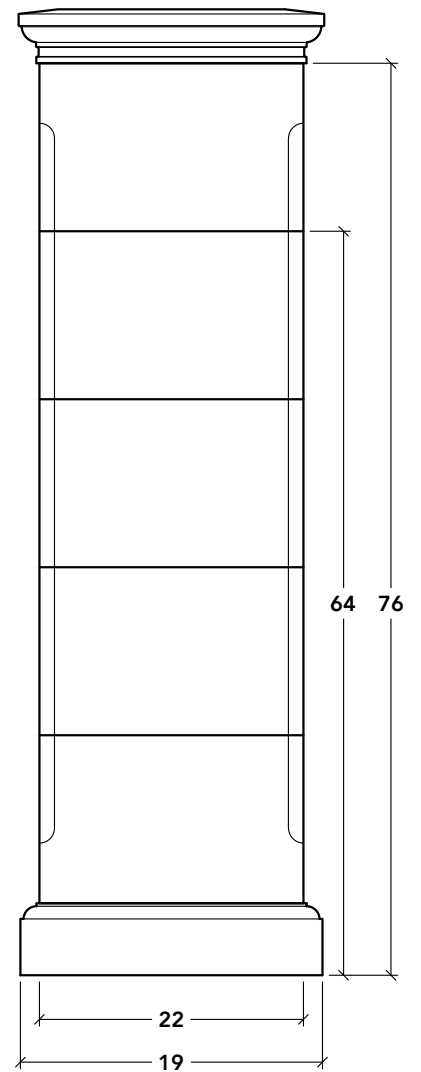
FP4



FP5



FP6



LANDMARK STONE

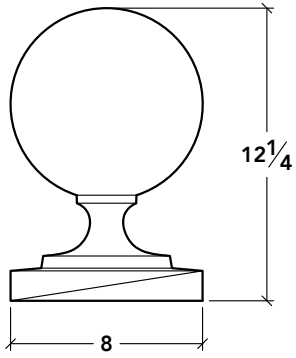
1630 KATHLEEN AVENUE, SACRAMENTO, CA 95815

916-548-8232 • contact@landmarkcaststone.com • www.landmarkcaststone.com

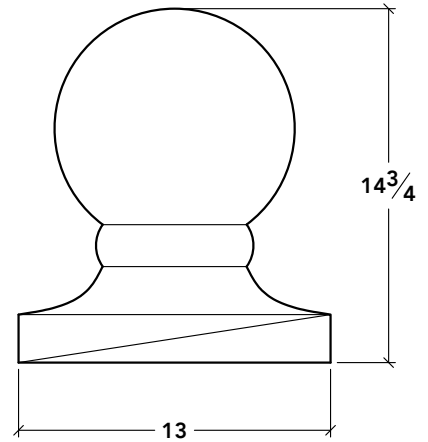
SCALE
1:16

SECTION
FP2

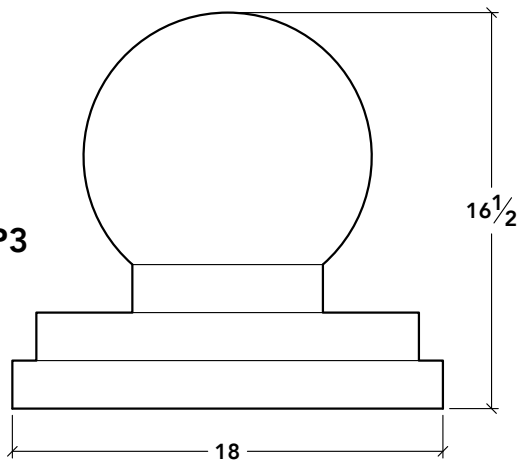
SP1



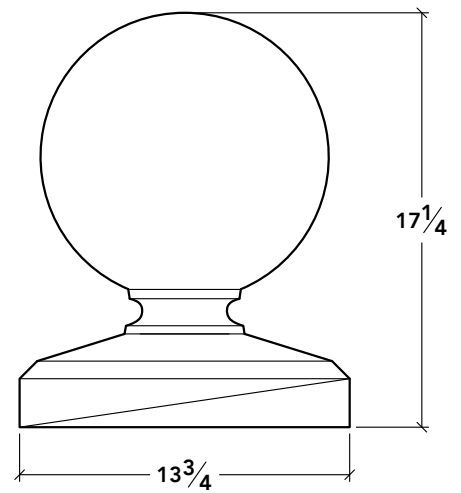
SP2



SP3



SP4



LANDMARK STONE

1630 KATHLEEN AVENUE, SACRAMENTO, CA 95815
916-548-8232 • contact@landmarkcaststone.com • www.landmarkcaststone.com

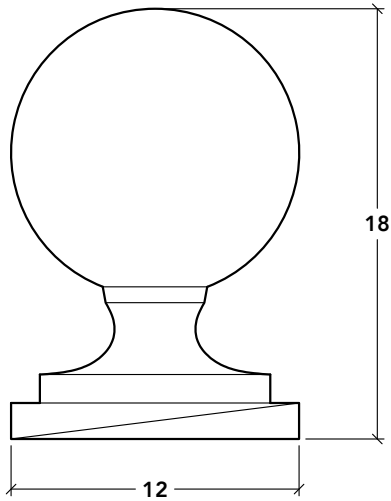
SCALE

1:8

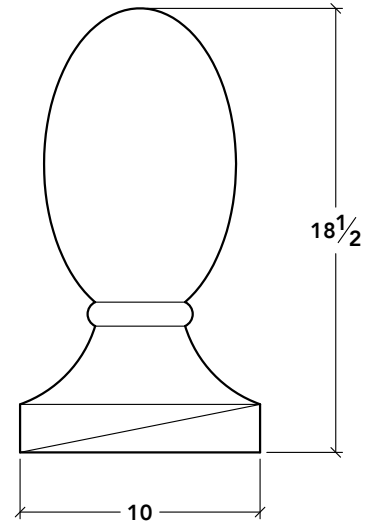
SECTION

FIN1

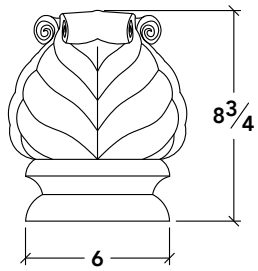
SP5



SP6



SP7



LANDMARK STONE

1630 KATHLEEN AVENUE, SACRAMENTO, CA 95815
916-548-8232 • contact@landmarkcaststone.com • www.landmarkcaststone.com

SCALE

1:8

SECTION

FIN2