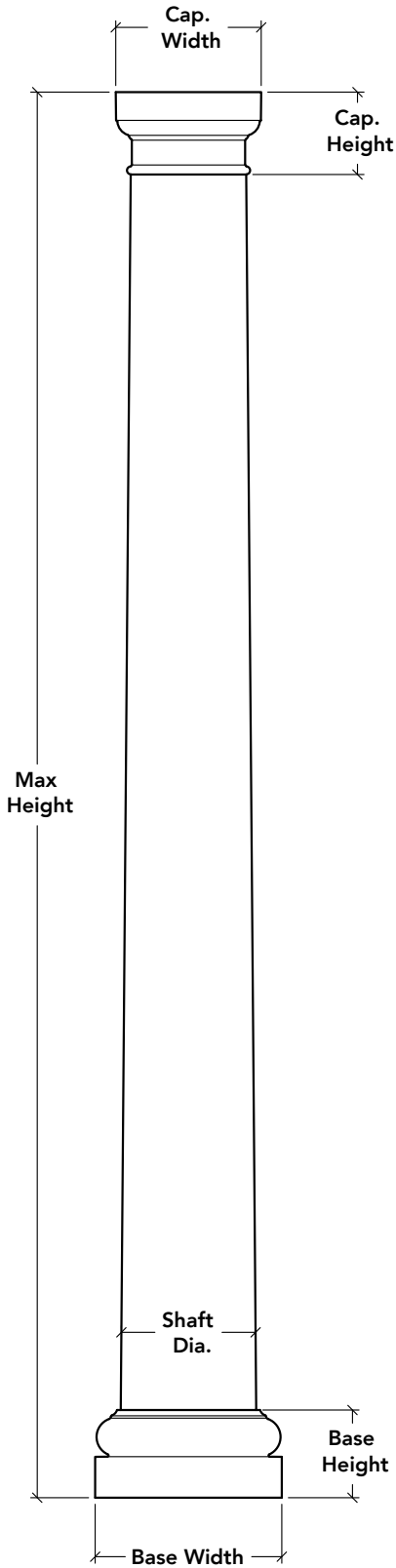


# TAPERED COLUMNS



STOCK NUM.	SHAFT DIA.	MAX HEIGHT	BASE NUM.	BASE HEIGHT	BASE WIDTH	CAP NUM	CAP HEIGHT	CAP WIDTH
CT-8	8	106	BA1	4.5	11	CAP3	6.50	11.25
CT-10	10	118	BA3	4	10.5	CAP6	8	13
CT-12	12	120	BA12	7.5	16	CAP11	8.50	15
CT-13	13	134	BA15	10	18	CAP16	8.50	15
CT-14	14	142	BA15	10	18	CAP16	12	18.50
CT-16	16	168	BA19	10	21.5	CAP18	10.25	20
CT-18	18	150	BA23	11.5	24.5	CAP23	12.24	23.50
CT-20	20	264	BA25	13	24.5	CAP25	12.25	26

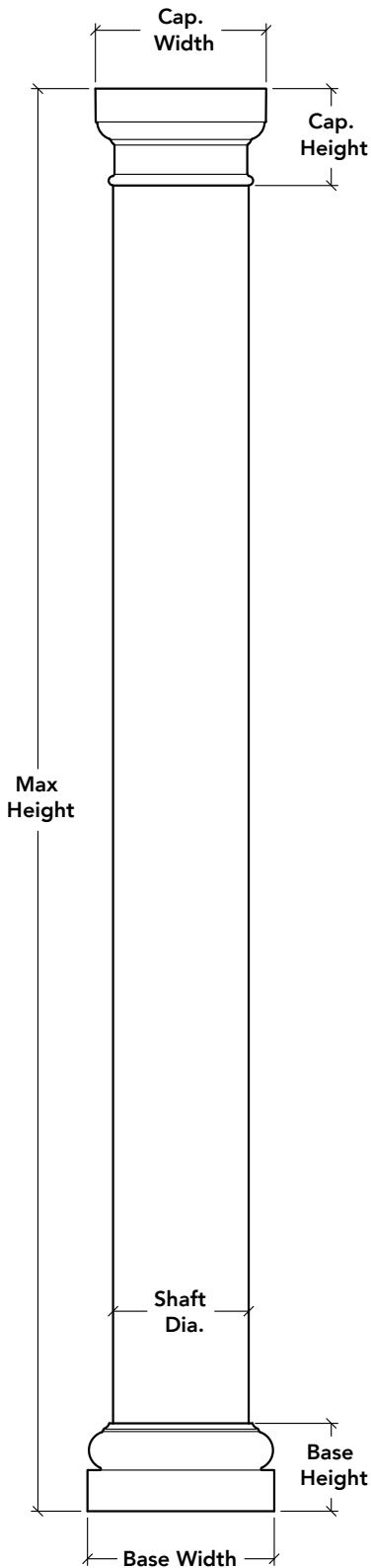
## LANDMARK STONE

1630 KATHLEEN AVENUE, SACRAMENTO, CA 95815  
 916-548-8232 • contact@landmarkcaststone.com • www.landmarkcaststone.com

SCALE  
**NTS**

SECTION  
**C-TA**

# STRAIGHT COLUMNS



STOCK NUM.	SHAFT DIA.	MAX HEIGHT	BASE NUM.	BASE HEIGHT	BASE WIDTH	CAP NUM	CAP HEIGHT	CAP WIDTH
CR-8	8	96	BA1	4.5	11	CAP3	6.50	11.25
CR-10	10	120	BA3	4	10.5	CAP9	6.50	15.50
CR-12	12	168	BA12	7.5	16	CAP11	8.50	15
CR-14	14	192	BA15	10	18	CAP20	9	20.50
CR-18	18	192	BA23	11.5	24.5	CAP24	11.75	22
CR-20	20	216	BA25	13	24.5	CAP27	13.75	26.50

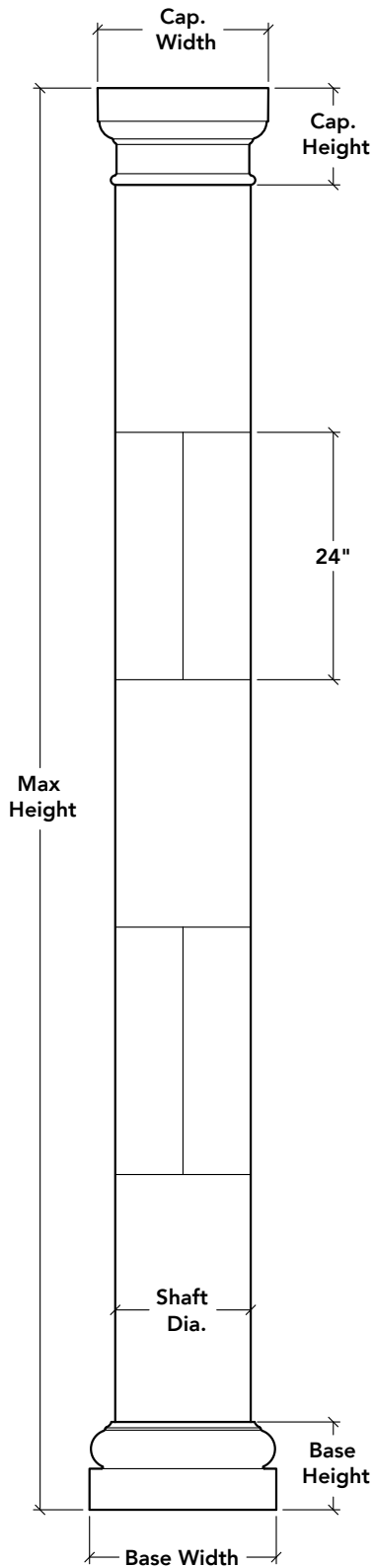
## LANDMARK STONE

1630 KATHLEEN AVENUE, SACRAMENTO, CA 95815  
 916-548-8232 • contact@landmarkcaststone.com • www.landmarkcaststone.com

SCALE  
**NTS**

SECTION  
**C-ST**

# STRAIGHT SECTIONAL COLUMNS



STOCK NUM.	SHAFT DIA.	MAX HEIGHT	BASE NUM.	BASE HEIGHT	BASE WIDTH	CAP NUM	CAP HEIGHT	CAP WIDTH
CS-8	8	∞	BA1	4.5	11	CAP3	6.50	11.25
CS-10	10	∞	BA3	4	10.5	CAP9	6.50	15.50
CS-12	12	∞	BA12	7.5	16	CAP11	8.50	15
CS-14	14	∞	BA15	10	18	CAP20	9	20.50
CS-16	16	∞	BA19	10	21.5	CAP22	11.50	22.50
CS-18	18	∞	BA23	11.50	24.50	CAP24	11.75	22
CS-20	20	∞	BA25	13	24.50	CAP27	13.75	26.50

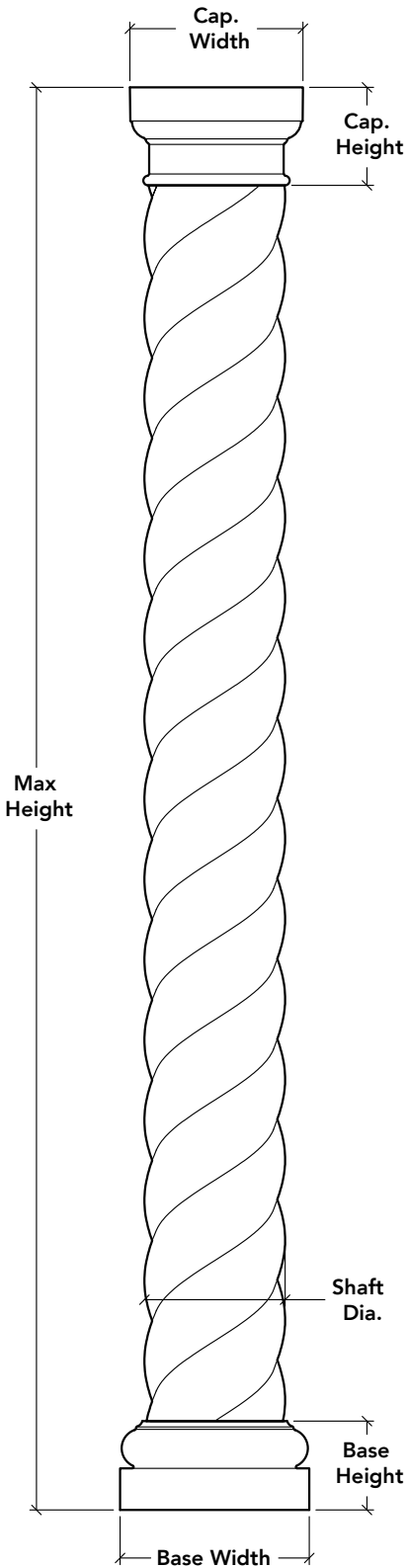
## LANDMARK STONE

1630 KATHLEEN AVENUE, SACRAMENTO, CA 95815  
 916-548-8232 • contact@landmarkcaststone.com • www.landmarkcaststone.com

SCALE  
**NTS**

SECTION  
**C-SS**

# TWISTED COLUMNS



STOCK NUM.	SHAFT DIA.	MAX HEIGHT	BASE NUM.	BASE HEIGHT	BASE WIDTH	CAP NUM	CAP HEIGHT	CAP WIDTH
CW-8	8	72	BA1	4.50	11	CAP3	6.50	11.50
CW-10	10	120	BA3	4	10.50	CAP9	6.50	15.50
CW-12	12	168	BA12	7.50	16	CAP11	8.50	15
CW-15	15	192	BA17	8.50	20.50	CAP18	10.25	20
CW-18	18	192	BA23	11.50	24.50	CAP24	11.75	22

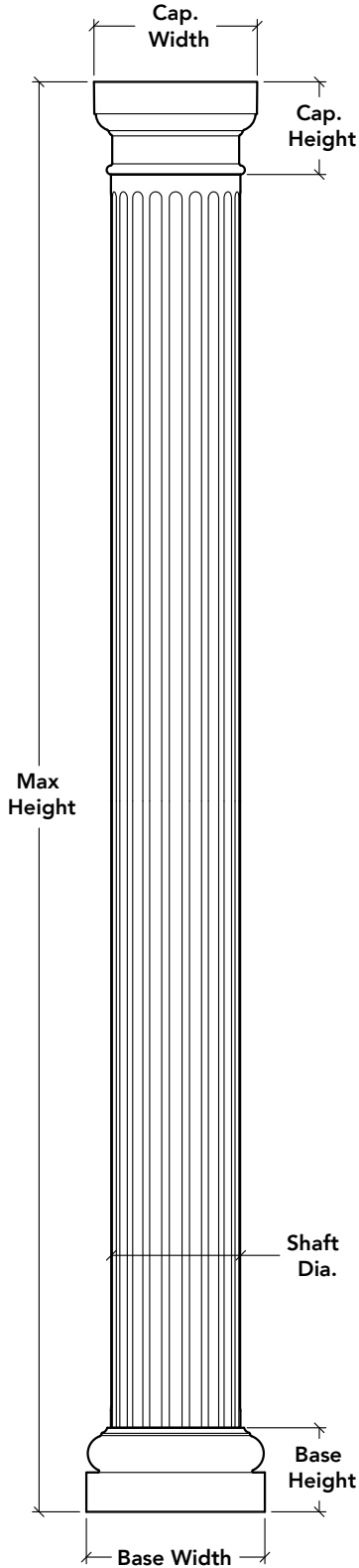
## LANDMARK STONE

1630 KATHLEEN AVENUE, SACRAMENTO, CA 95815  
 916-548-8232 • contact@landmarkcaststone.com • www.landmarkcaststone.com

SCALE  
**NTS**

SECTION  
**C-TW**

# FLUTED COLUMNS



STOCK NUM.	SHAFT DIA.	MAX HEIGHT	BASE NUM.	BASE HEIGHT	BASE WIDTH	CAP NUM	CAP HEIGHT	CAP WIDTH
CW-8	8	72	BA1	4.50	11	CAP3	6.50	11.50
CW-10	10	120	BA3	4	10.50	CAP9	6.50	15.50
CW-12	12	168	BA12	7.50	16	CAP11	8.50	15
CW-15	15	192	BA17	8.50	20.50	CAP18	10.25	20
CW-18	18	192	BA23	11.50	24.50	CAP24	11.75	22

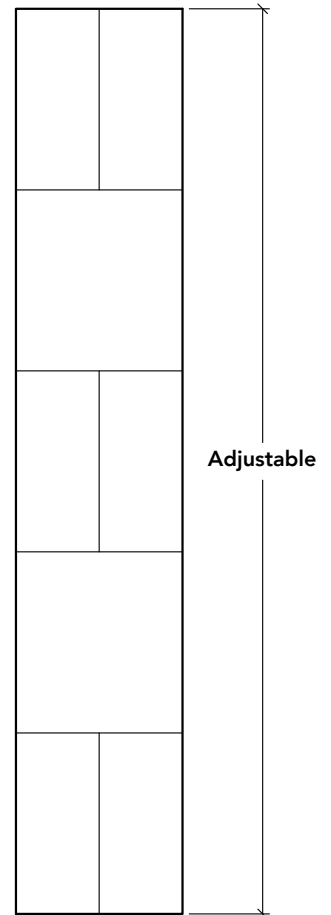
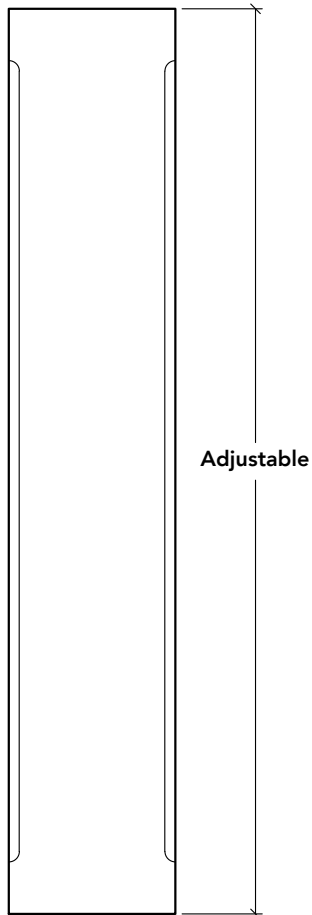
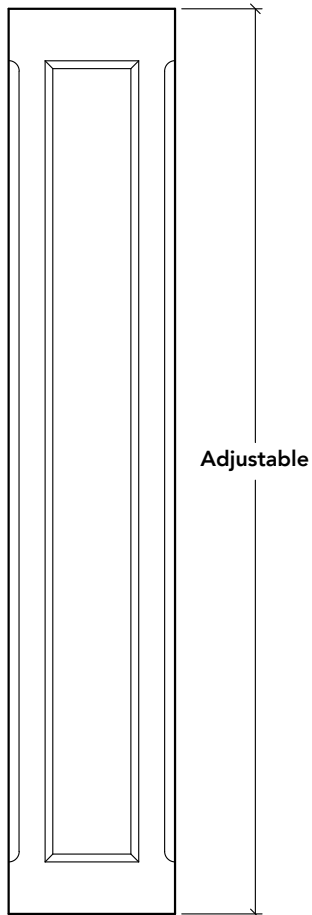
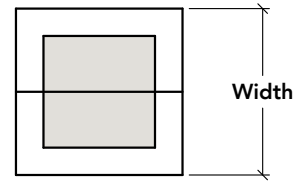
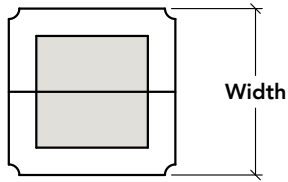
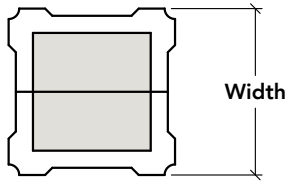
## LANDMARK STONE

1630 KATHLEEN AVENUE, SACRAMENTO, CA 95815  
 916-548-8232 • contact@landmarkcaststone.com • www.landmarkcaststone.com

SCALE  
**NTS**

SECTION  
**C-FL**

# SQUARE COLUMNS



**PANEL**

PRODUCT #	WIDTH
SQP-12	12
SQP-14	14
SQP-16	16
SQP-18	18
SQP-20	20

**FLAT**

PRODUCT #	WIDTH
SQF-12	12
SQF-14	14
SQF-16	16
SQF-18	18
SQF-20	20

**SECTIONAL**

PRODUCT #	WIDTH
SQS-12	12
SQS-14	14
SQS-16	16
SQS-18	18
SQS-20	20

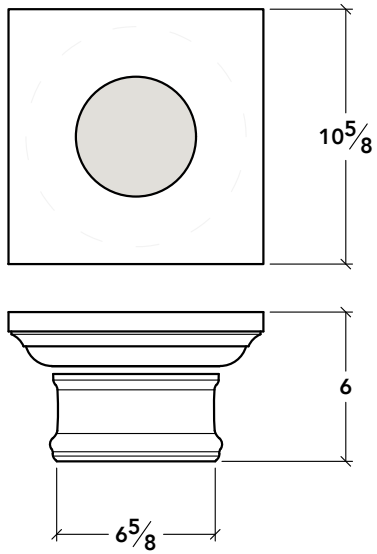
**LANDMARK STONE**

1630 KATHLEEN AVENUE, SACRAMENTO, CA 95815  
 916-548-8232 • contact@landmarkcaststone.com • www.landmarkcaststone.com

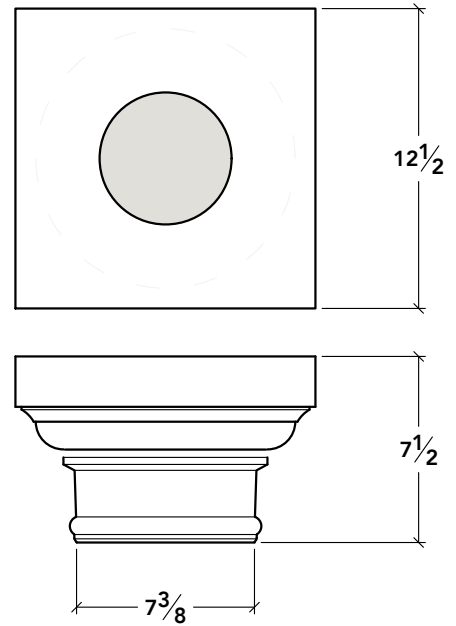
SCALE  
**NTS**

SECTION  
**C-SQ**

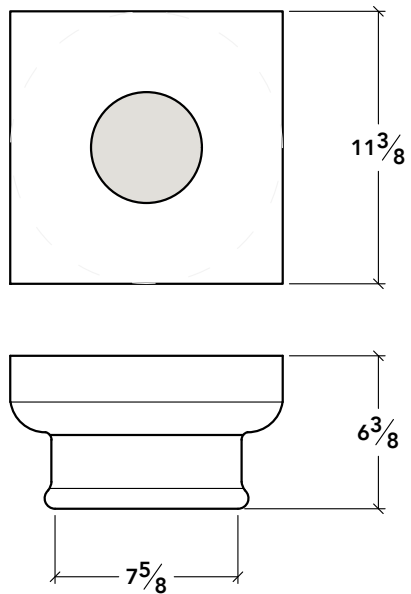
# COLUMN CAPITOLS



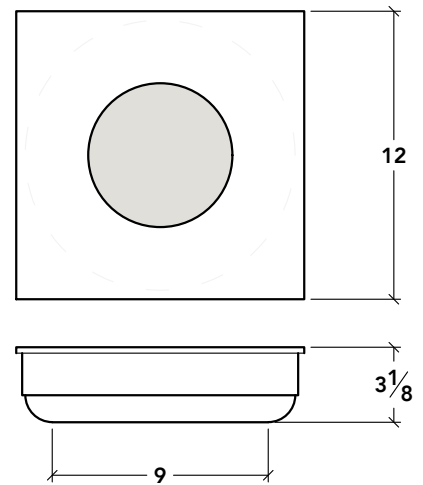
**CAP1**



**CAP2**



**CAP3**



**CAP4**

**LANDMARK STONE**

1630 KATHLEEN AVENUE, SACRAMENTO, CA 95815  
916-548-8232 • contact@landmarkcaststone.com • www.landmarkcaststone.com

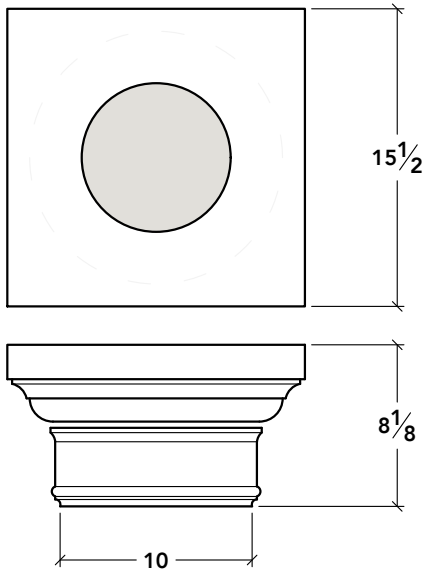
SCALE

**1:8**

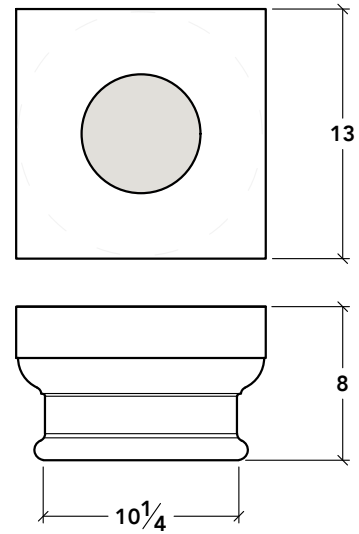
SECTION

**CC1**

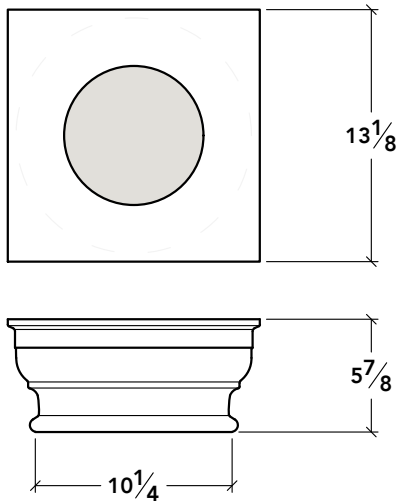
# COLUMN CAPITOLS



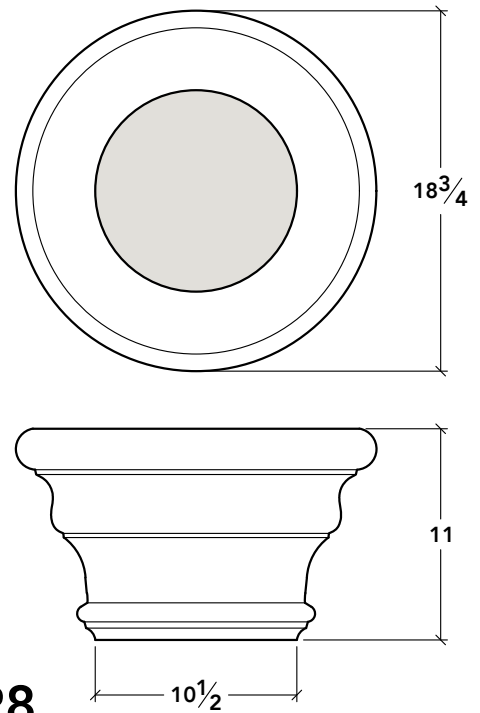
**CAP5**



**CAP6**



**CAP7**



**CAP8**

**LANDMARK STONE**

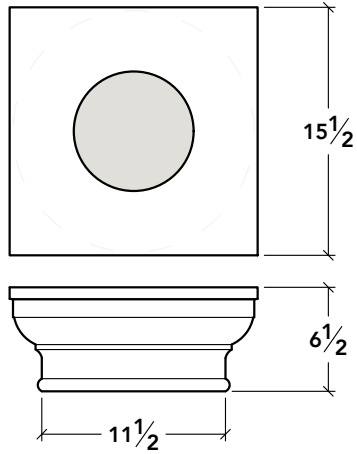
1630 KATHLEEN AVENUE, SACRAMENTO, CA 95815  
916-548-8232 • contact@landmarkcaststone.com • www.landmarkcaststone.com

SCALE  
**1:10**

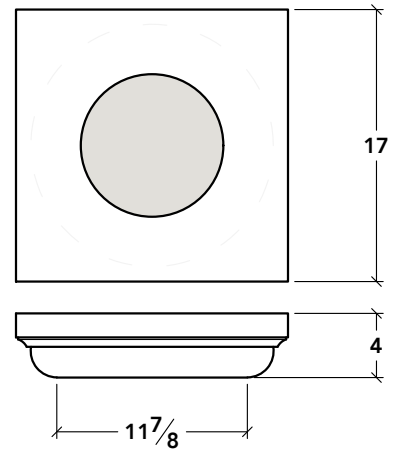
SECTION  
**CC2**



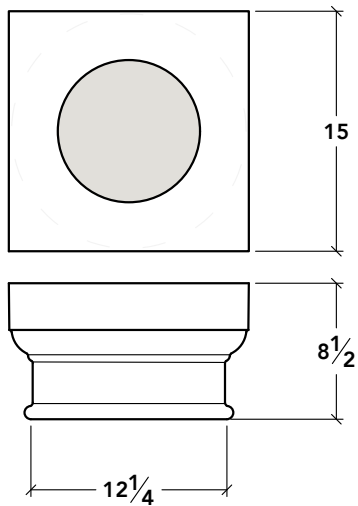
# COLUMN CAPITOLS



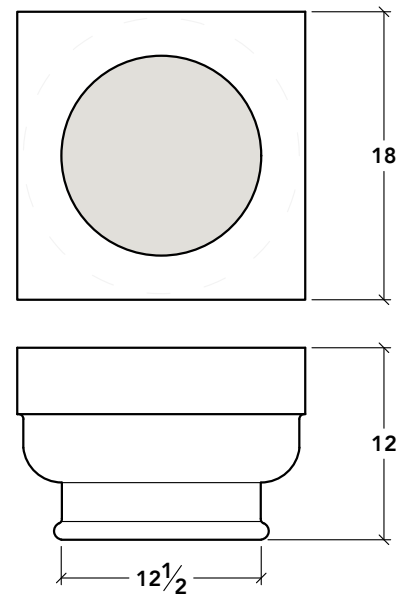
**CAP9**



**CAP10**



**CAP11**



**CAP12**

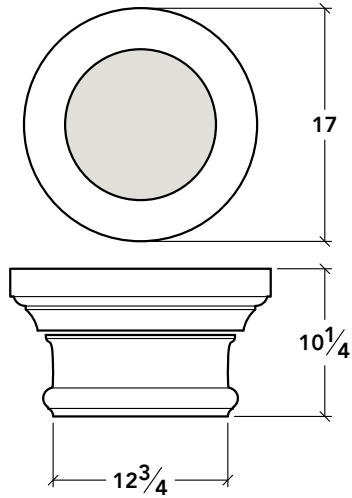
**LANDMARK STONE**

1630 KATHLEEN AVENUE, SACRAMENTO, CA 95815  
916-548-8232 • [contact@landmarkcaststone.com](mailto:contact@landmarkcaststone.com) • [www.landmarkcaststone.com](http://www.landmarkcaststone.com)

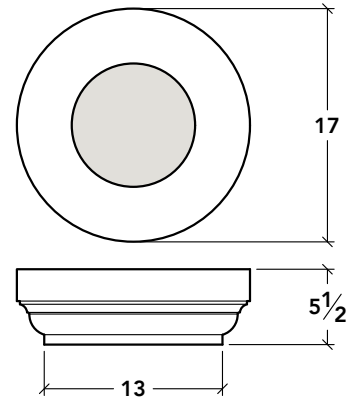
SCALE  
**1:12**

SECTION  
**CC3**

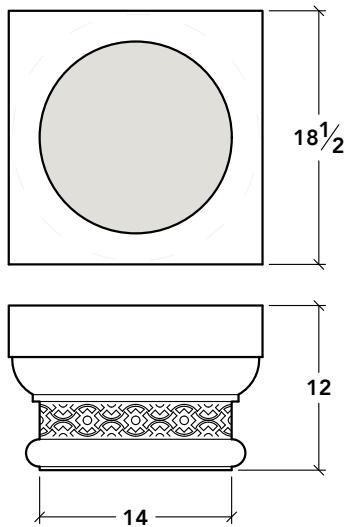
# COLUMN CAPITOLS



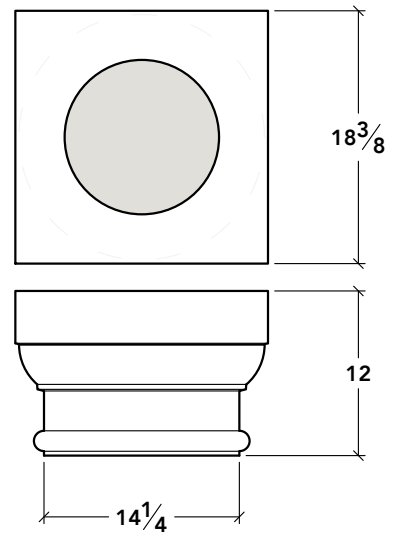
**CAP13**



**CAP14**



**CAP15**



**CAP16**

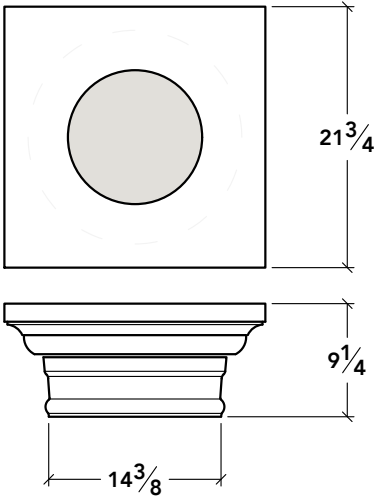
**LANDMARK STONE**

1630 KATHLEEN AVENUE, SACRAMENTO, CA 95815  
916-548-8232 • [contact@landmarkcaststone.com](mailto:contact@landmarkcaststone.com) • [www.landmarkcaststone.com](http://www.landmarkcaststone.com)

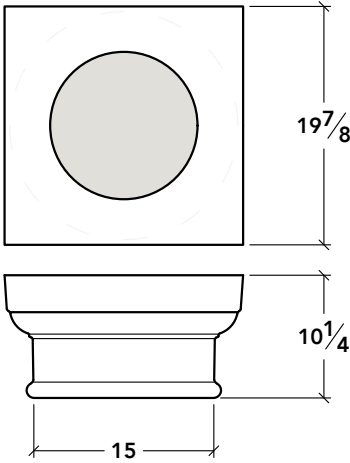
SCALE  
**1:14**

SECTION  
**CC4**

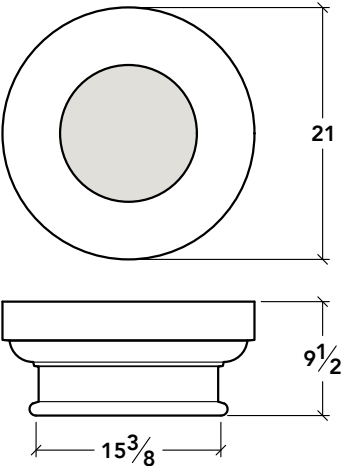
# COLUMN CAPITOLS



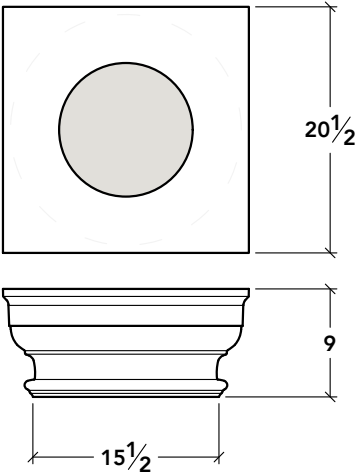
**CAP17**



**CAP18**



**CAP19**



**CAP20**

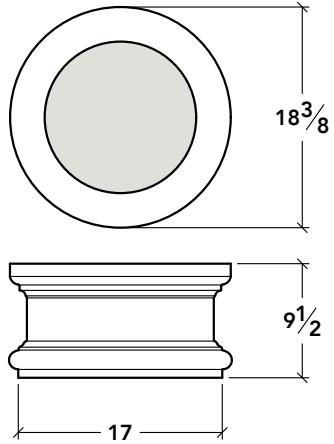
**LANDMARK STONE**

1630 KATHLEEN AVENUE, SACRAMENTO, CA 95815  
916-548-8232 • contact@landmarkcaststone.com • www.landmarkcaststone.com

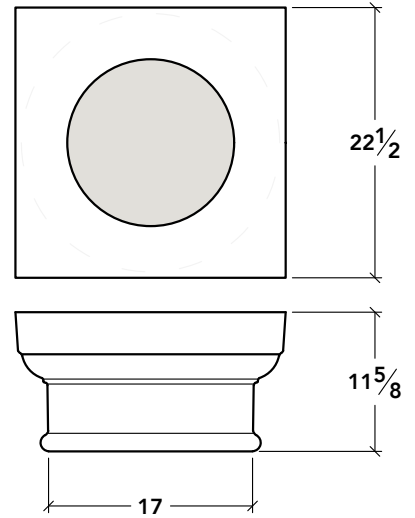
SCALE  
**1:16**

SECTION  
**CC5**

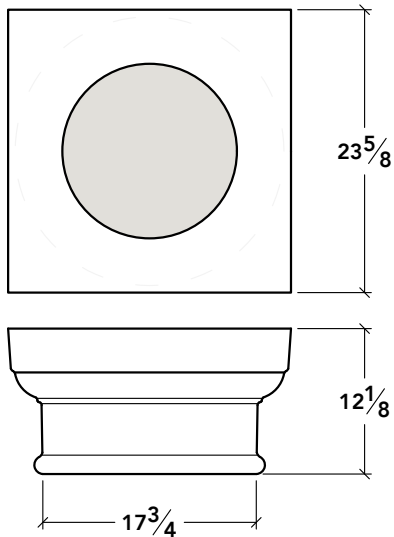
# COLUMN CAPITOLS



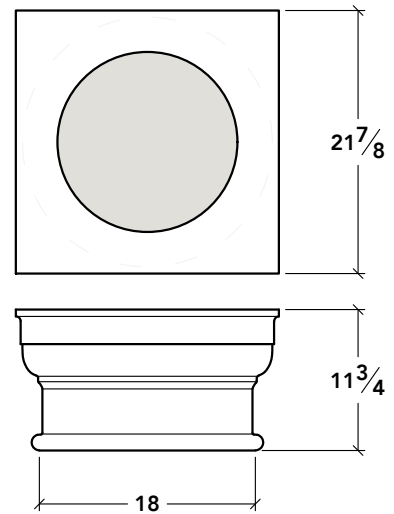
**CAP21**



**CAP22**



**CAP23**



**CAP24**

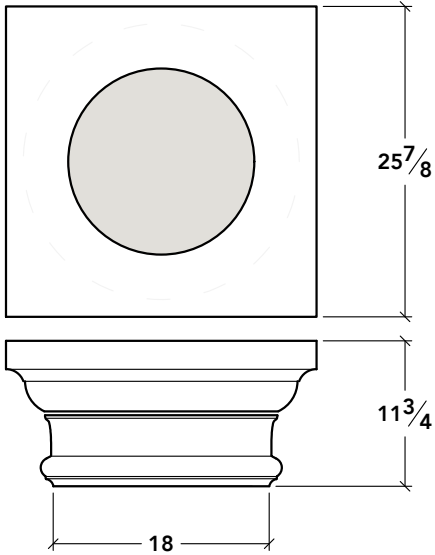
**LANDMARK STONE**

1630 KATHLEEN AVENUE, SACRAMENTO, CA 95815  
916-548-8232 • contact@landmarkcaststone.com • www.landmarkcaststone.com

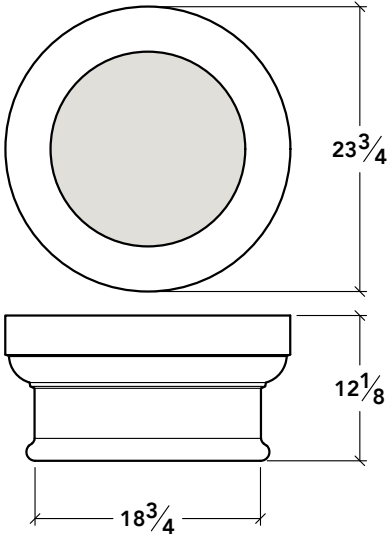
SCALE  
**1:16**

SECTION  
**CC6**

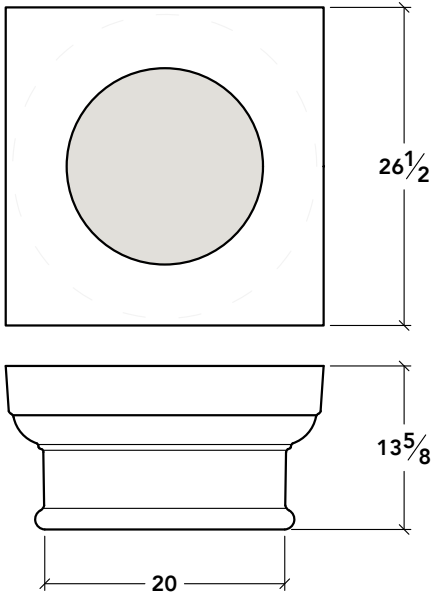
# COLUMN CAPITOLS



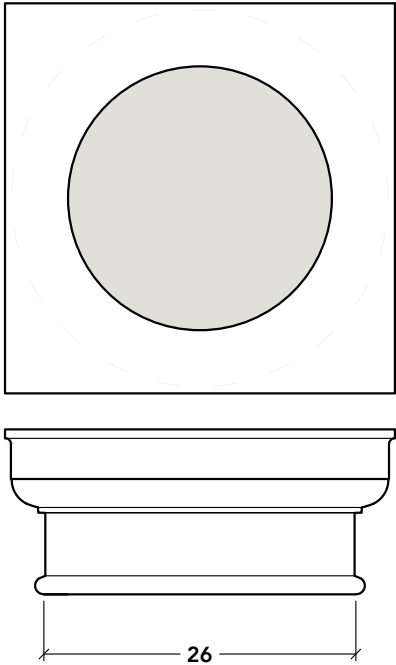
**CAP25**



**CAP26**



**CAP27**



**CAP28**

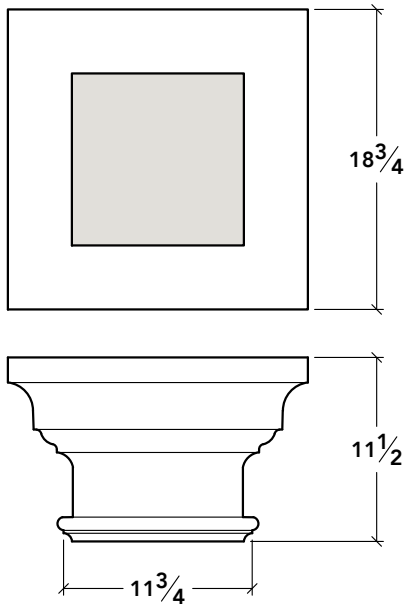
**LANDMARK STONE**

1630 KATHLEEN AVENUE, SACRAMENTO, CA 95815  
916-548-8232 • contact@landmarkcaststone.com • www.landmarkcaststone.com

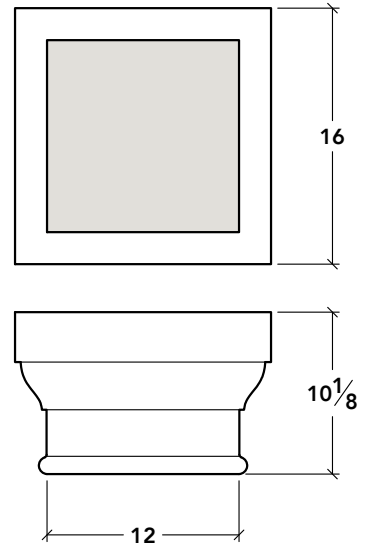
SCALE  
**1:16**

SECTION  
**CC7**

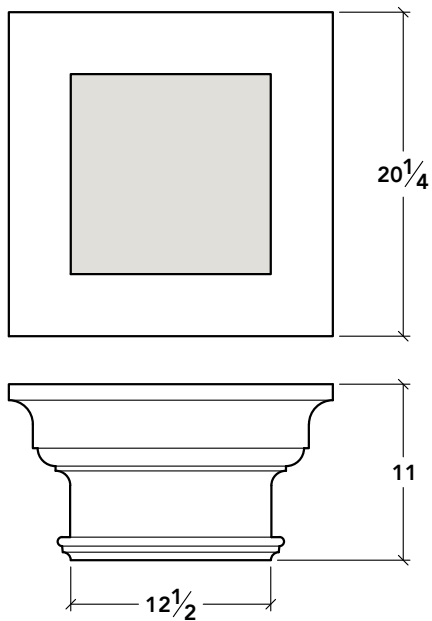
# COLUMN CAPITOLS



**CAP41**



**CAP42**



**CAP43**

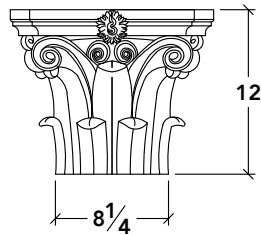
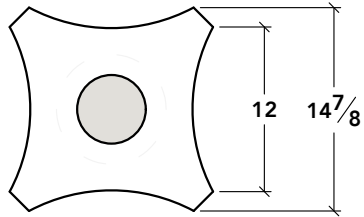
**LANDMARK STONE**

1630 KATHLEEN AVENUE, SACRAMENTO, CA 95815  
916-548-8232 • contact@landmarkcaststone.com • www.landmarkcaststone.com

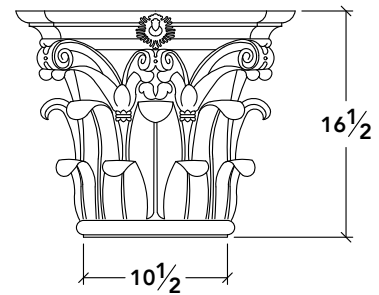
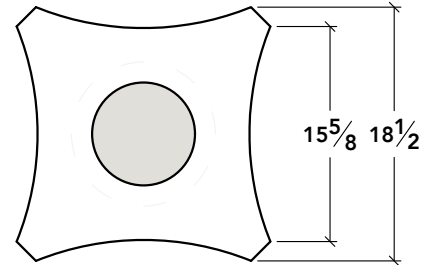
SCALE  
**1:12**

SECTION  
**CC8**

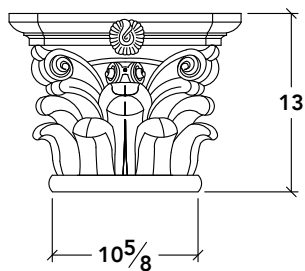
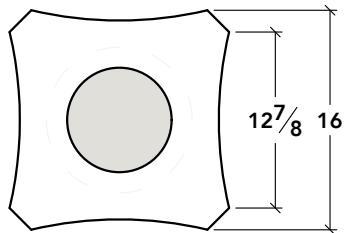
# CORINTHIAN CAPITOLS



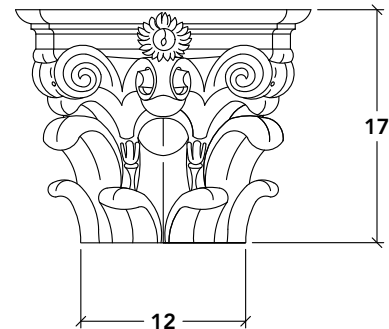
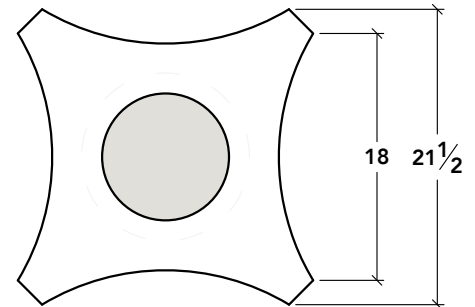
**CAP51**



**CAP52**



**CAP53**



**CAP54**

**LANDMARK STONE**

1630 KATHLEEN AVENUE, SACRAMENTO, CA 95815

916-548-8232 • contact@landmarkcaststone.com • www.landmarkcaststone.com

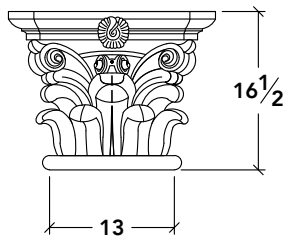
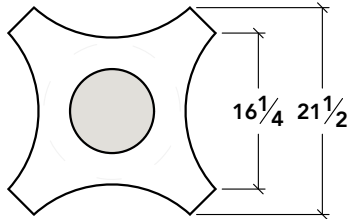
SCALE

**1:14**

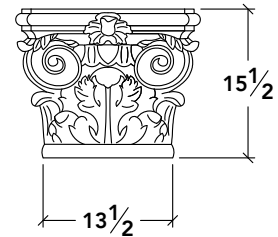
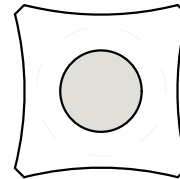
SECTION

**COR1**

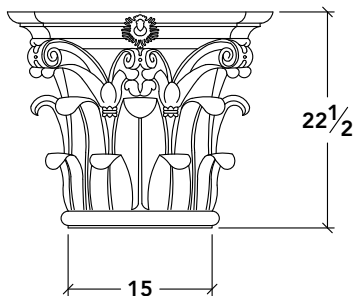
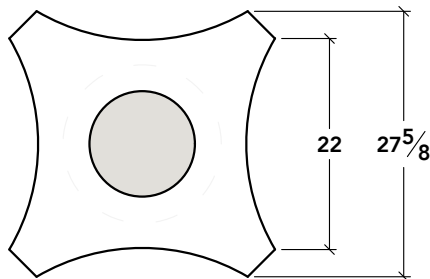
# CORINTHIAN CAPITOLS



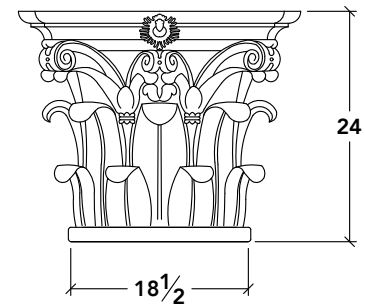
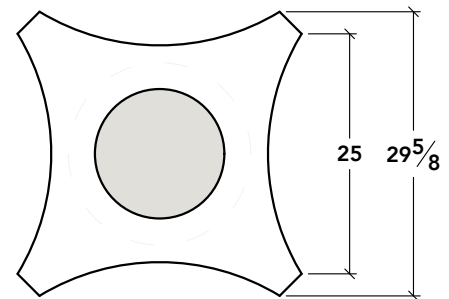
**CAP55**



**CAP56**



**CAP57**



**CAP58**

**LANDMARK STONE**

1630 KATHLEEN AVENUE, SACRAMENTO, CA 95815

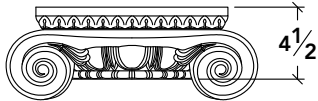
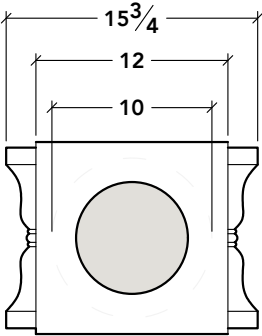
916-548-8232 • contact@landmarkcaststone.com • www.landmarkcaststone.com

SCALE  
**1:20**

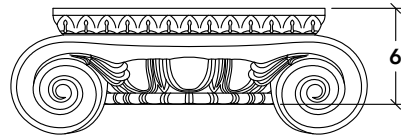
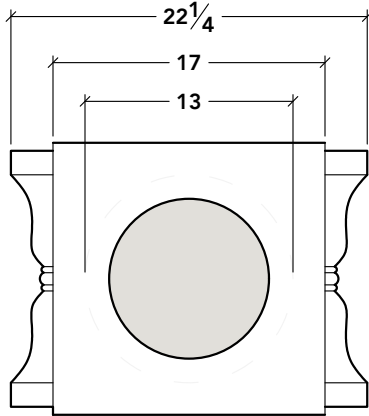
SECTION  
**COR2**



# IONIC CAPITOLS



**CAP71**



**CAP72**

**LANDMARK STONE**

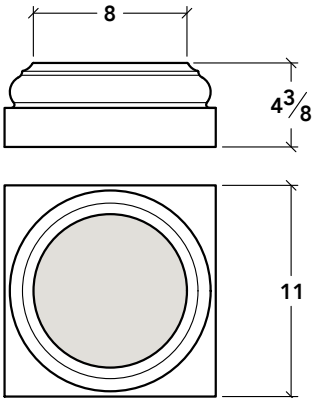
1630 KATHLEEN AVENUE, SACRAMENTO, CA 95815  
916-548-8232 • contact@landmarkcaststone.com • www.landmarkcaststone.com

SCALE  
**1:12**

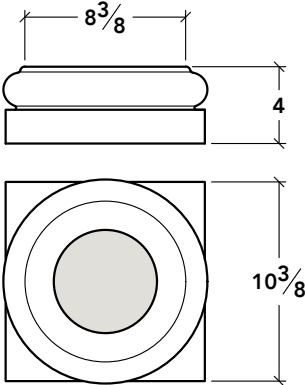
SECTION  
**IO1**

# COLUMN BASES

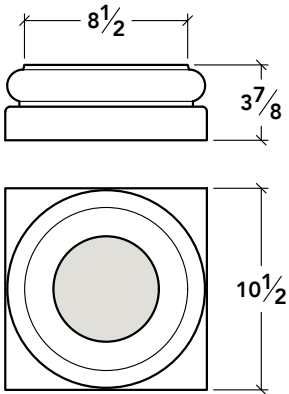
### BA1



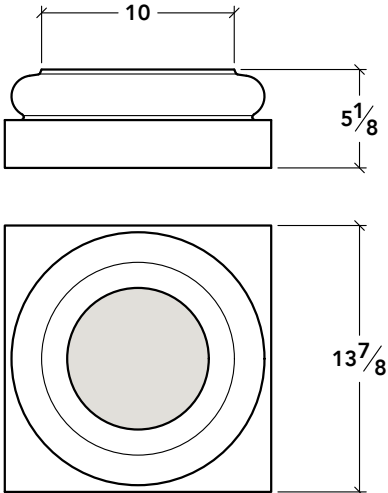
### BA2



### BA3

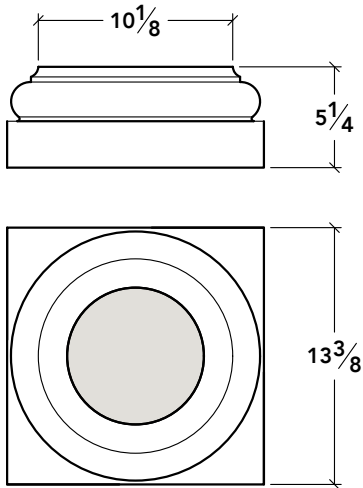


### BA4

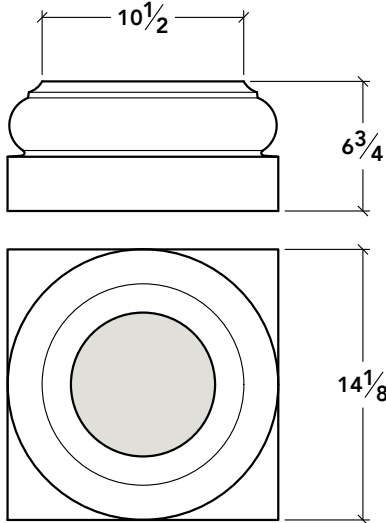


# COLUMN BASES

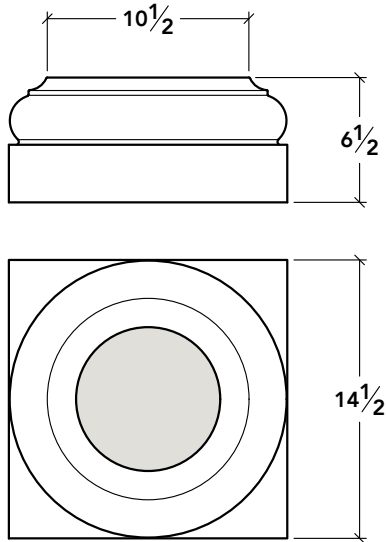
### BA5



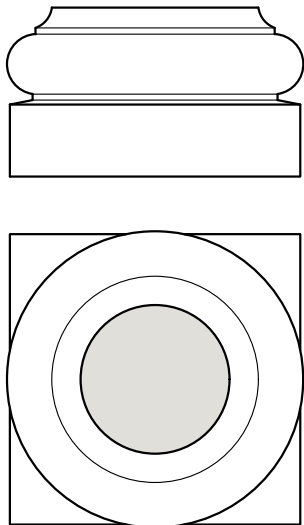
### BA6



### BA7



### BA8



**LANDMARK STONE**

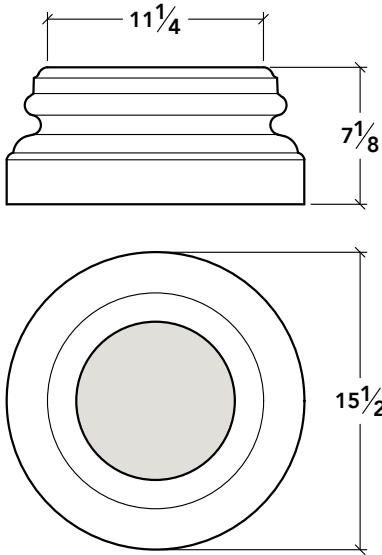
1630 KATHLEEN AVENUE, SACRAMENTO, CA 95815  
916-548-8232 • contact@landmarkcaststone.com • www.landmarkcaststone.com

SCALE  
**1:10**

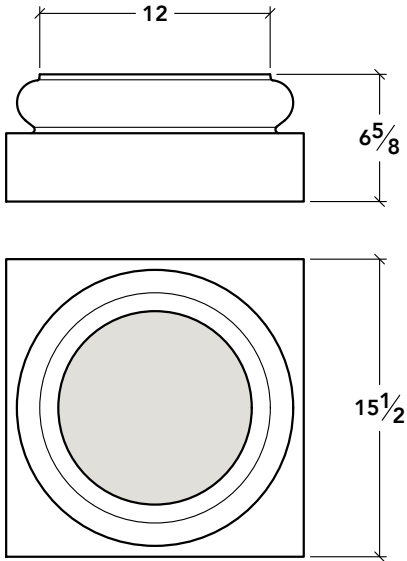
SECTION  
**BAS2**

# COLUMN BASES

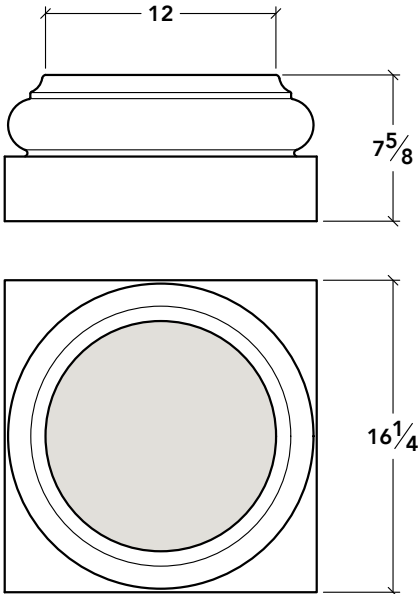
## BA9



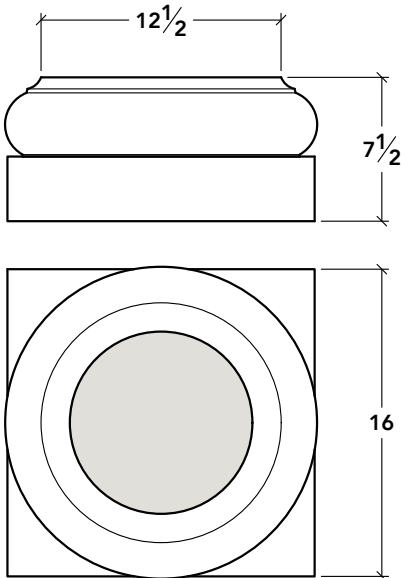
## BA10



## BA11



## BA12



**LANDMARK STONE**

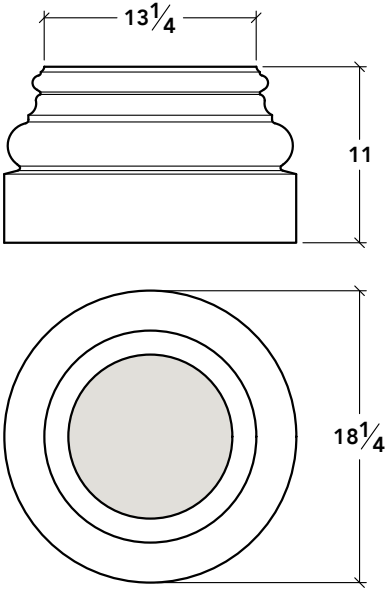
1630 KATHLEEN AVENUE, SACRAMENTO, CA 95815  
916-548-8232 • contact@landmarkcaststone.com • www.landmarkcaststone.com

SCALE  
**1:10**

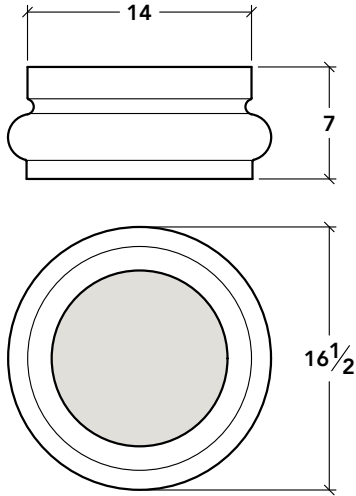
SECTION  
**BAS3**

COLUMN BASES

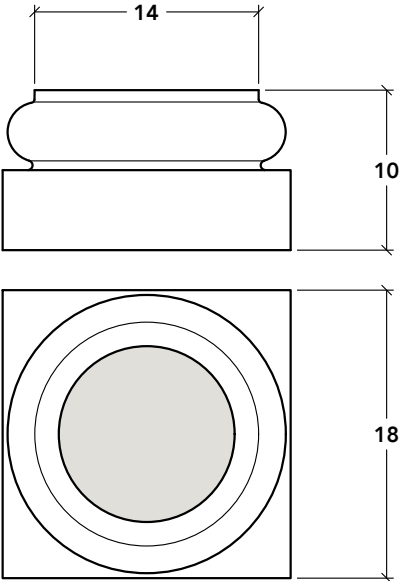
BA13



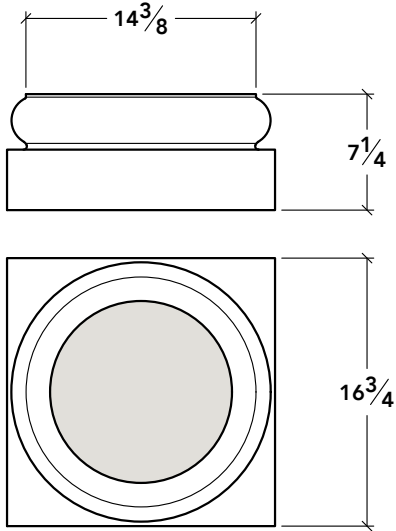
BA14



BA15



BA16



LANDMARK STONE

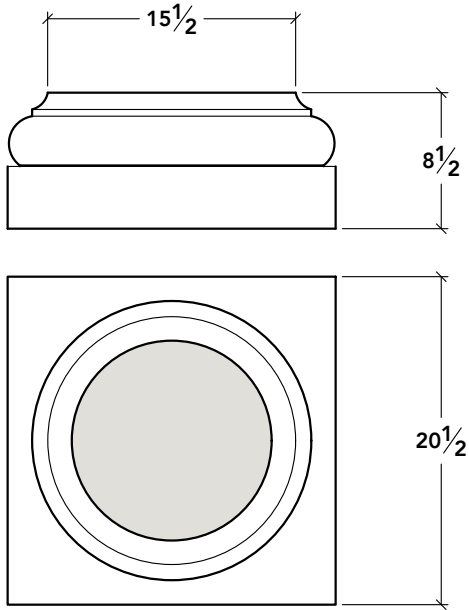
1630 KATHLEEN AVENUE, SACRAMENTO, CA 95815  
916-548-8232 • contact@landmarkcaststone.com • www.landmarkcaststone.com

SCALE  
1:12

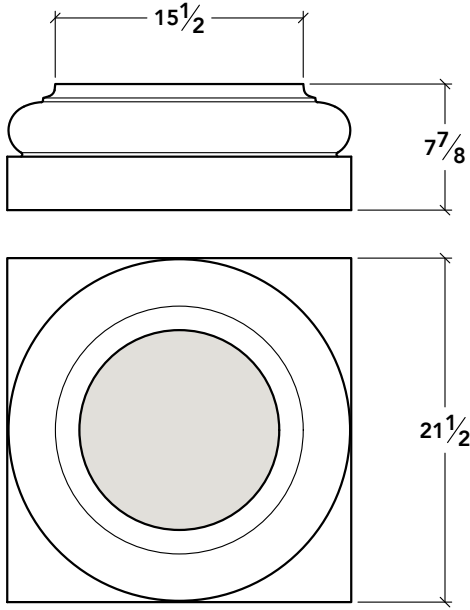
SECTION  
BAS4

# COLUMN BASES

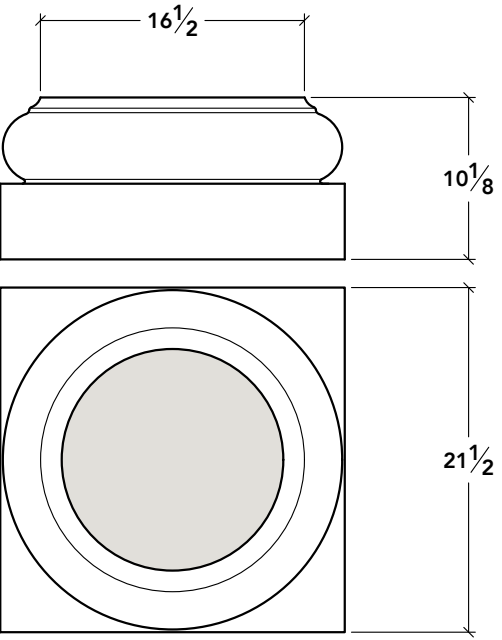
## BA17



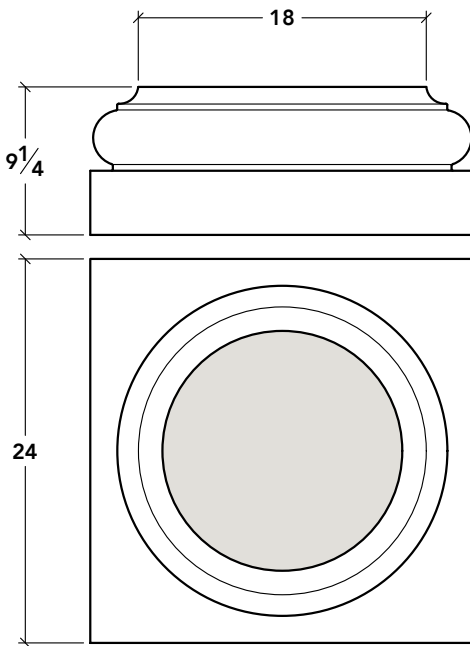
## BA18



## BA19



## BA20



**LANDMARK STONE**

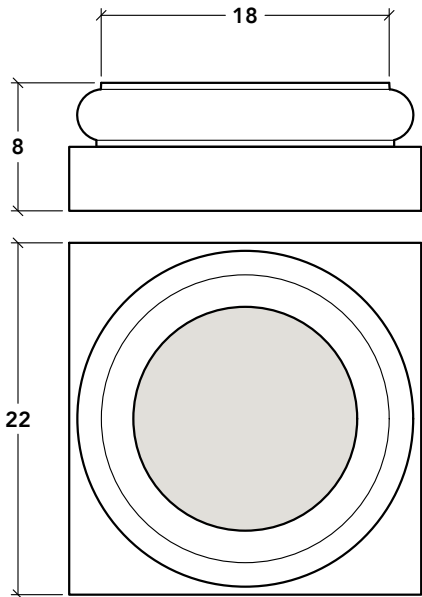
1630 KATHLEEN AVENUE, SACRAMENTO, CA 95815  
916-548-8232 • [contact@landmarkcaststone.com](mailto:contact@landmarkcaststone.com) • [www.landmarkcaststone.com](http://www.landmarkcaststone.com)

SCALE  
**1:12**

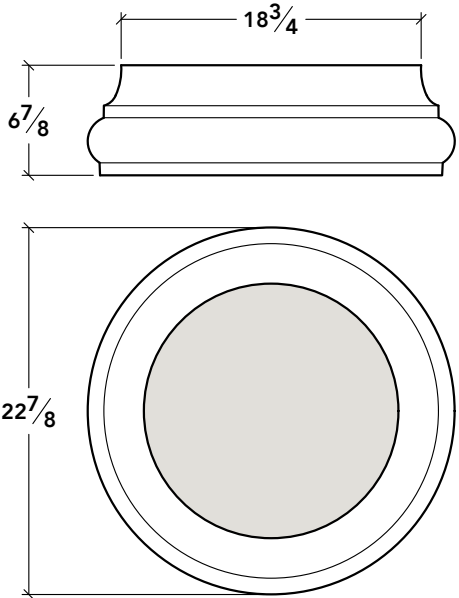
SECTION  
**BAS5**

# COLUMN BASES

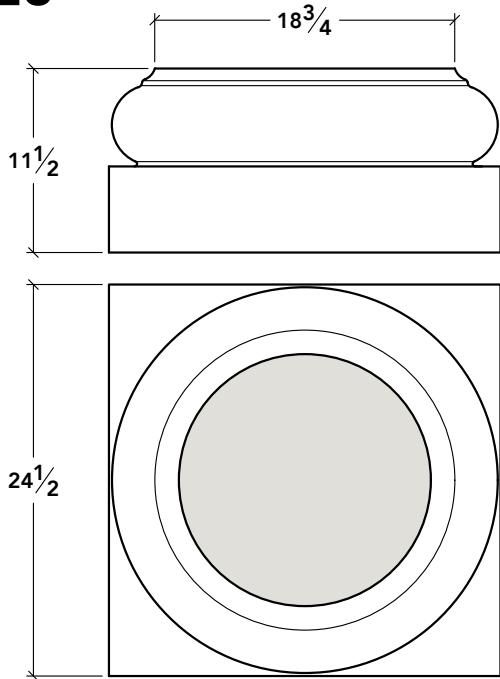
## BA21



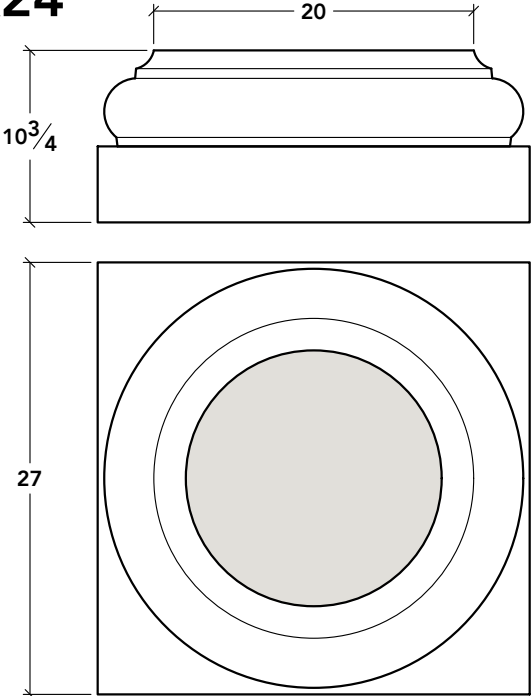
## BA22



## BA23



## BA24



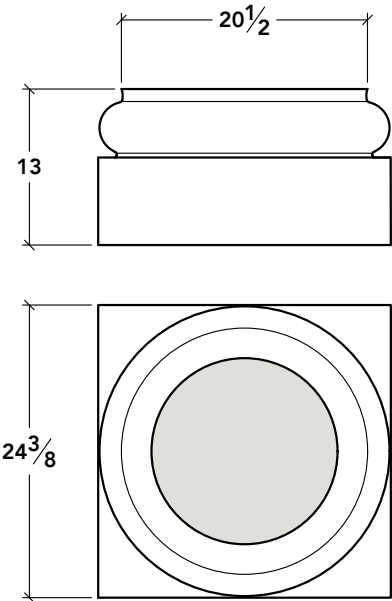
**LANDMARK STONE**

1630 KATHLEEN AVENUE, SACRAMENTO, CA 95815  
916-548-8232 • [contact@landmarkcaststone.com](mailto:contact@landmarkcaststone.com) • [www.landmarkcaststone.com](http://www.landmarkcaststone.com)

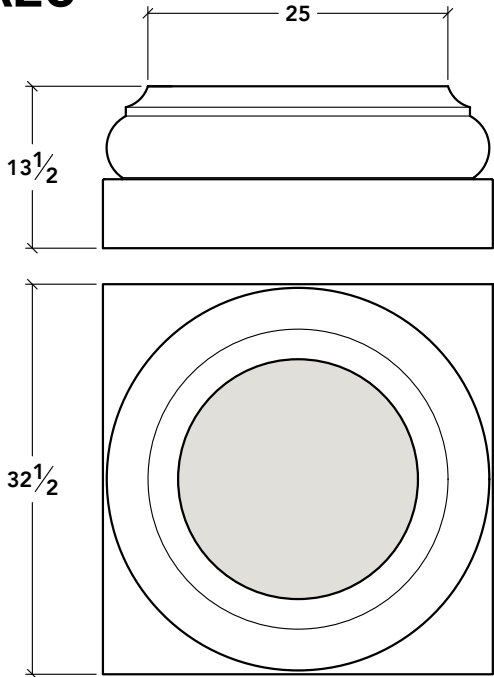
SCALE  
**1:12**

SECTION  
**BAS6**

**BA25**



**BA26**



**LANDMARK STONE**

1630 KATHLEEN AVENUE, SACRAMENTO, CA 95815  
916-548-8232 • contact@landmarkcaststone.com • www.landmarkcaststone.com

SCALE  
**1:16**

SECTION  
**BAS7**