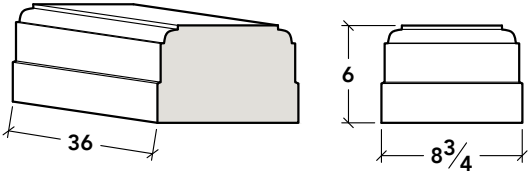
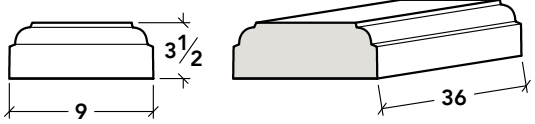
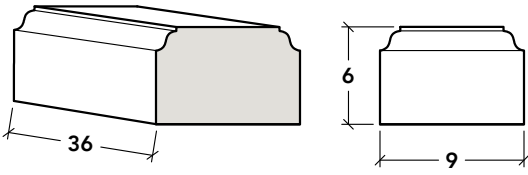
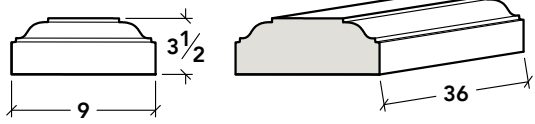
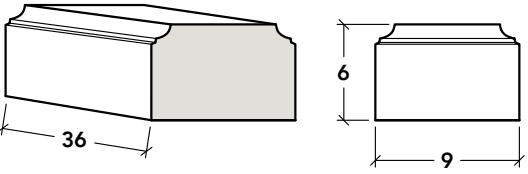
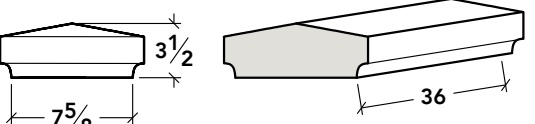
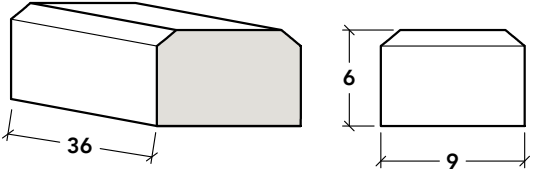
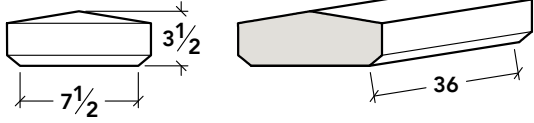
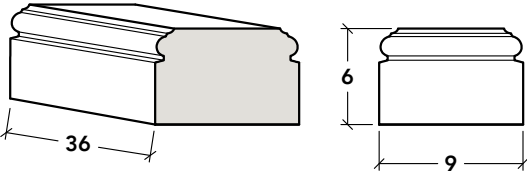
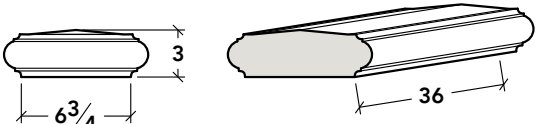


# BALUSTER RAILS

 <p><b>BB1</b></p>	 <p><b>BC1</b></p>
 <p><b>BB2</b></p>	 <p><b>BC2</b></p>
 <p><b>BB3</b></p>	 <p><b>BC3</b></p>
 <p><b>BB4</b></p>	 <p><b>BC4</b></p>
 <p><b>BB5</b></p>	 <p><b>BC5</b></p>

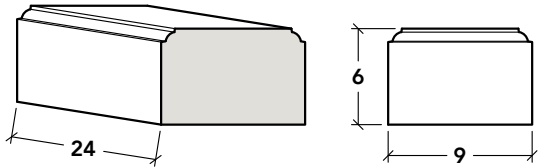
**LANDMARK STONE**

1630 KATHLEEN AVENUE, SACRAMENTO, CA 95815  
 916-548-8232 • contact@landmarkcaststone.com • www.landmarkcaststone.com

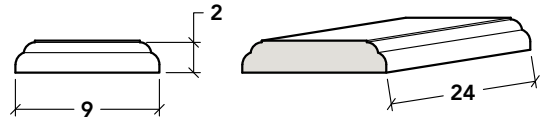
SCALE  
**1:12**

SECTION  
**BR1**

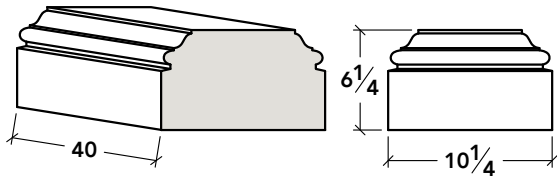
# BALUSTER RAILS



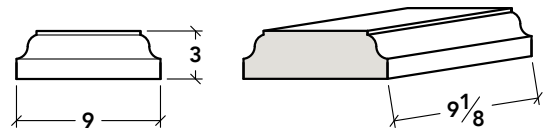
**BB6**



**BC6**



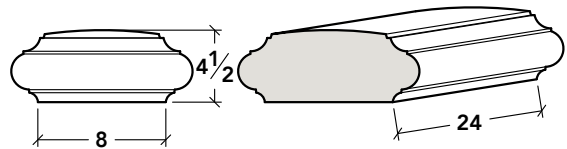
**BB7**



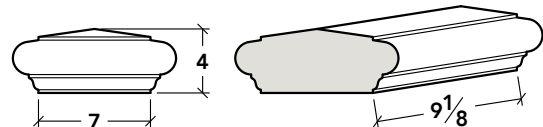
**BC7**



**BC8**



**BC9**



**BC10**

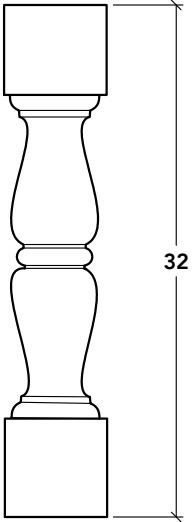
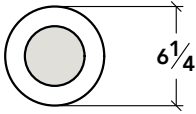
**LANDMARK STONE**

1630 KATHLEEN AVENUE, SACRAMENTO, CA 95815  
916-548-8232 • contact@landmarkcaststone.com • www.landmarkcaststone.com

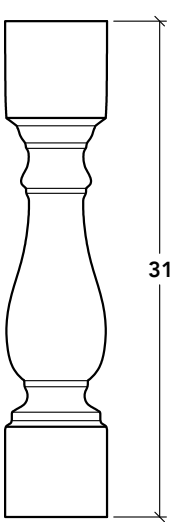
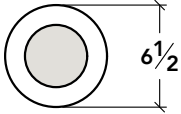
SCALE  
**1:12**

SECTION  
**BR2**

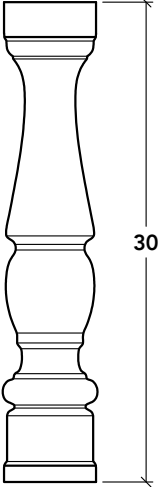
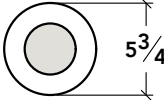
# BALUSTERS



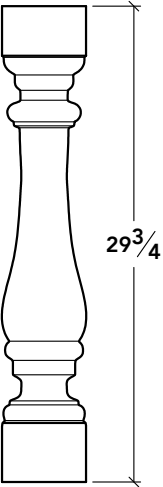
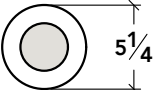
BL14



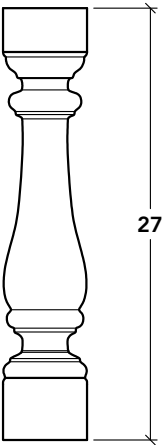
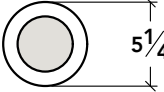
BL10



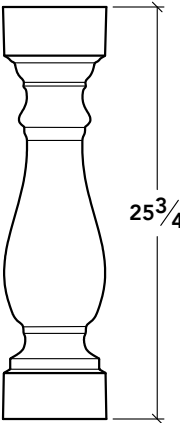
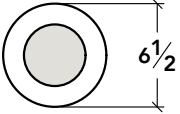
BL6



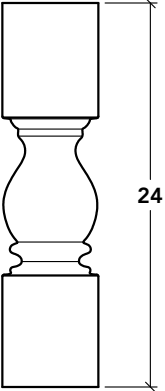
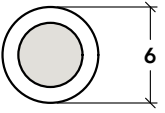
BL11



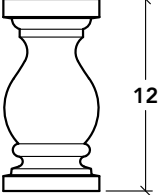
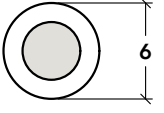
BL8



BL1



BL5



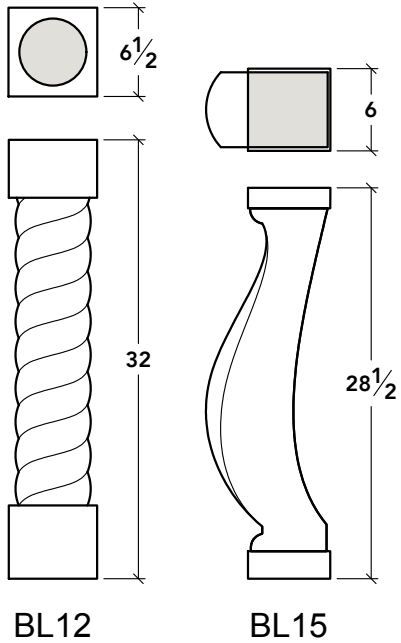
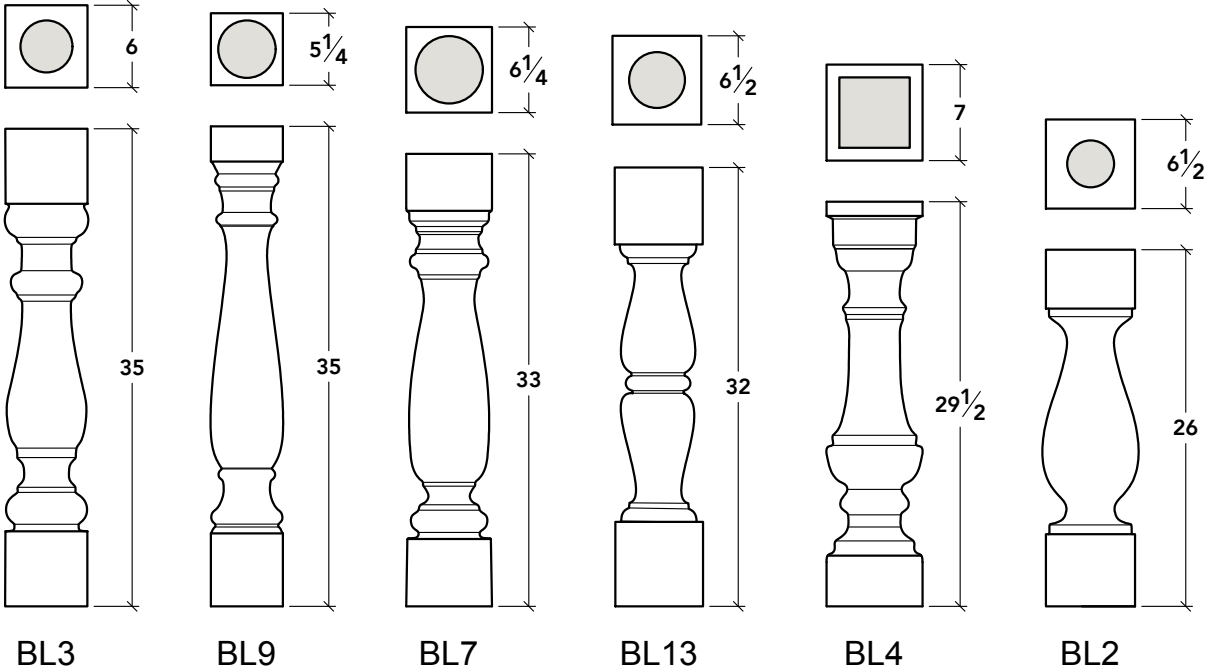
BL16

**LANDMARK STONE**  
1630 KATHLEEN AVENUE, SACRAMENTO, CA 95815  
916-548-8232 • contact@landmarkcaststone.com • www.landmarkcaststone.com

SCALE  
**1:12**

SECTION  
**BAL1**

# BALUSTERS



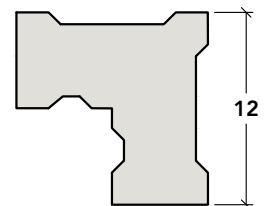
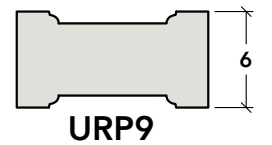
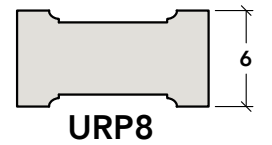
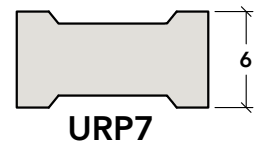
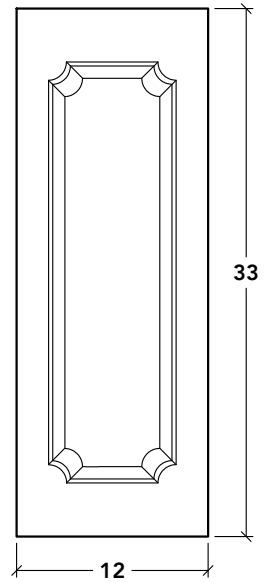
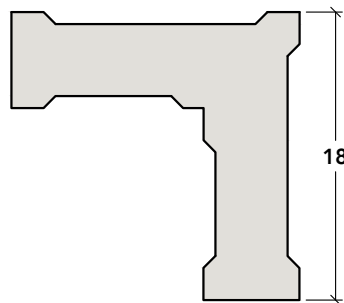
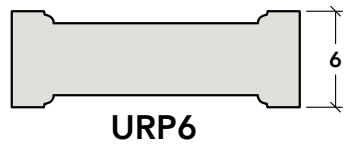
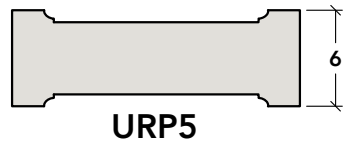
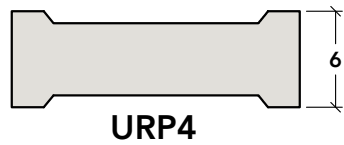
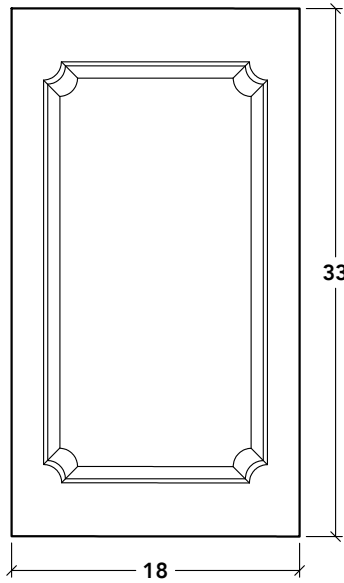
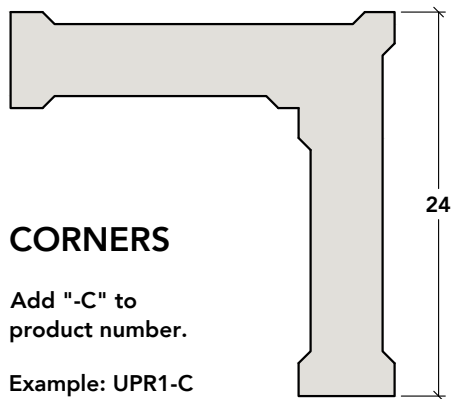
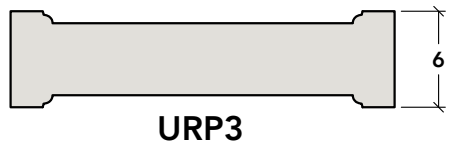
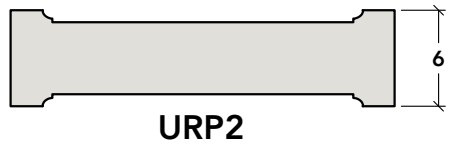
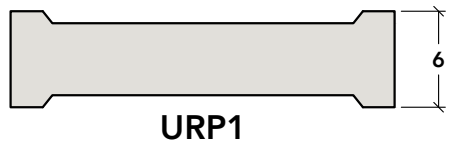
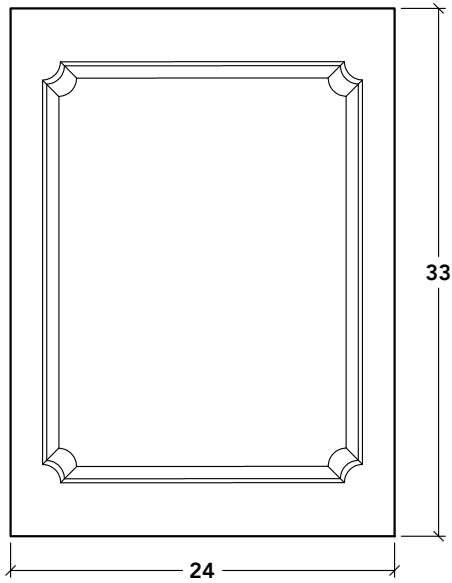
**LANDMARK STONE**

1630 KATHLEEN AVENUE, SACRAMENTO, CA 95815  
 916-548-8232 • contact@landmarkcaststone.com • www.landmarkcaststone.com

SCALE  
**1:14**

SECTION  
**BAL2**

# UNDER RAIL POSTS



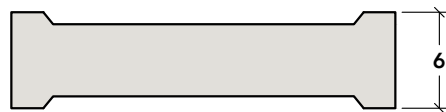
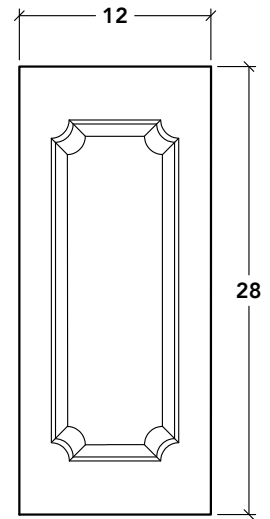
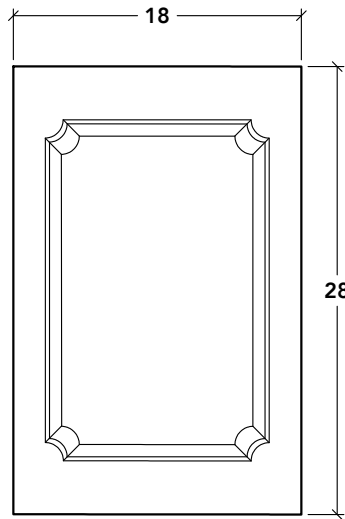
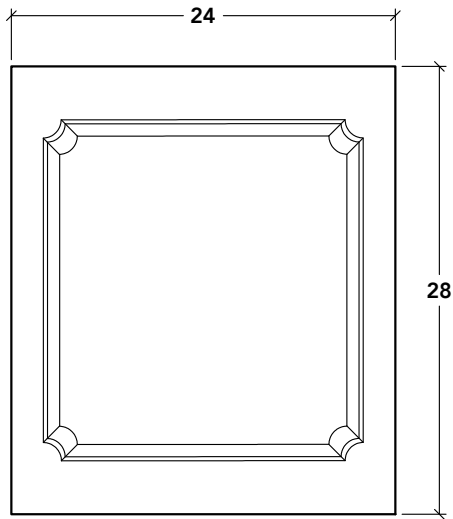
**LANDMARK STONE**

1630 KATHLEEN AVENUE, SACRAMENTO, CA 95815  
916-548-8232 • contact@landmarkcaststone.com • www.landmarkcaststone.com

SCALE  
**1:12**

SECTION  
**URP1**

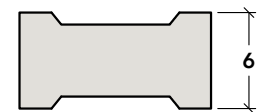
# UNDER RAIL POSTS



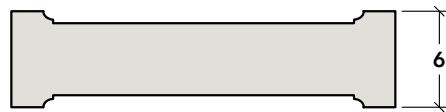
**URP11**



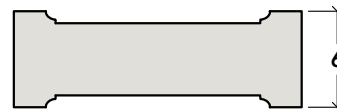
**URP14**



**URP17**



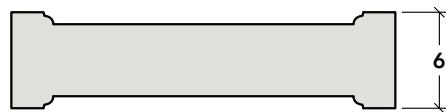
**URP12**



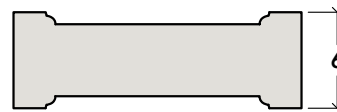
**URP15**



**URP18**



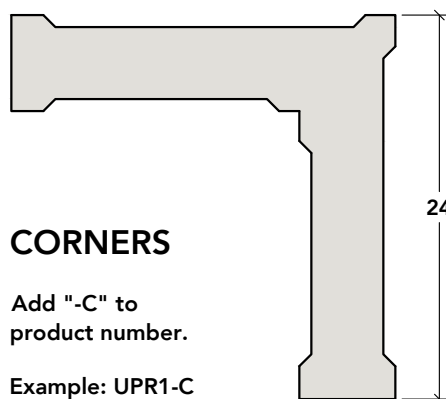
**URP13**



**URP16**



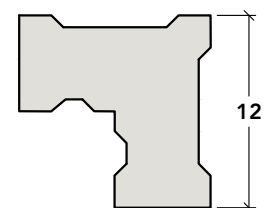
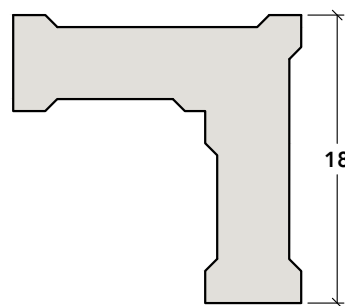
**URP19**



## CORNERS

Add "-C" to product number.

Example: UPR1-C



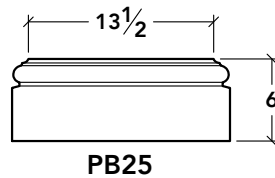
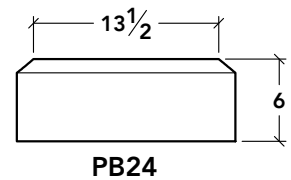
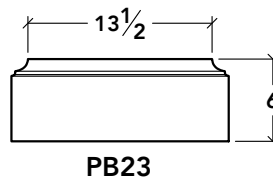
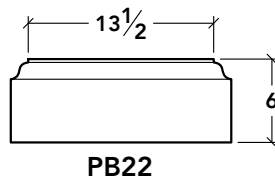
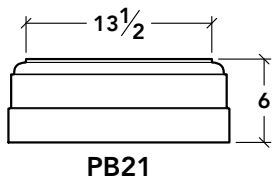
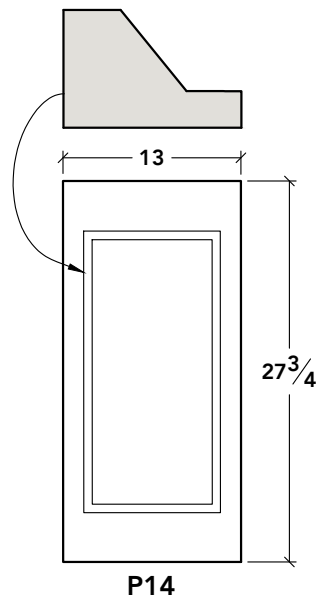
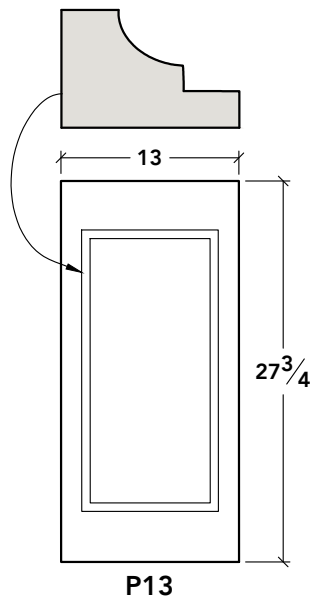
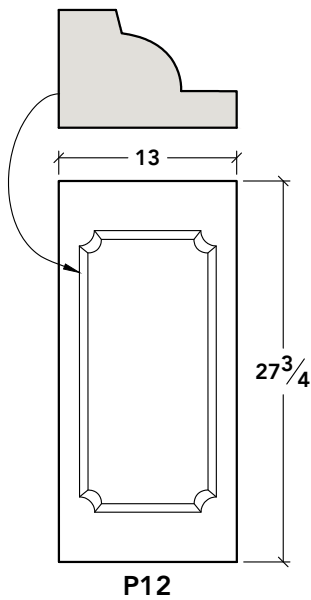
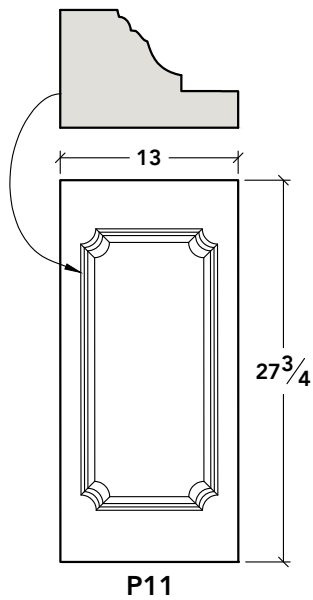
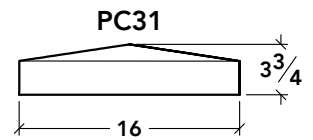
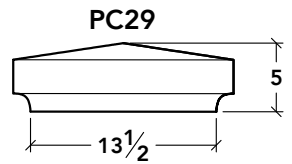
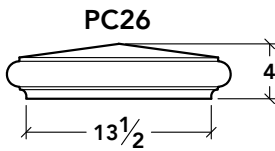
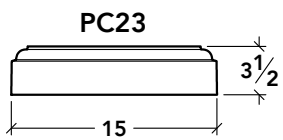
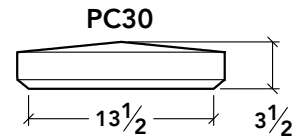
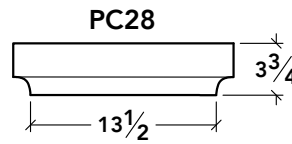
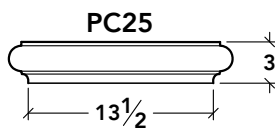
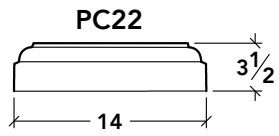
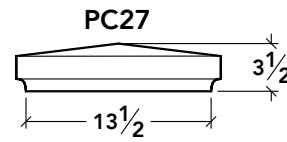
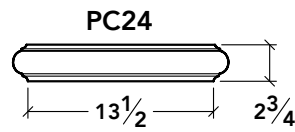
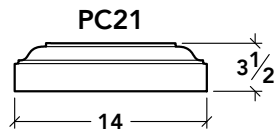
**LANDMARK STONE**

1630 KATHLEEN AVENUE, SACRAMENTO, CA 95815  
916-548-8232 • contact@landmarkcaststone.com • www.landmarkcaststone.com

SCALE  
**1:12**

SECTION  
**URP2**

# PIER POSTS



**LANDMARK STONE**

1630 KATHLEEN AVENUE, SACRAMENTO, CA 95815

916-548-8232 • contact@landmarkcaststone.com • www.landmarkcaststone.com

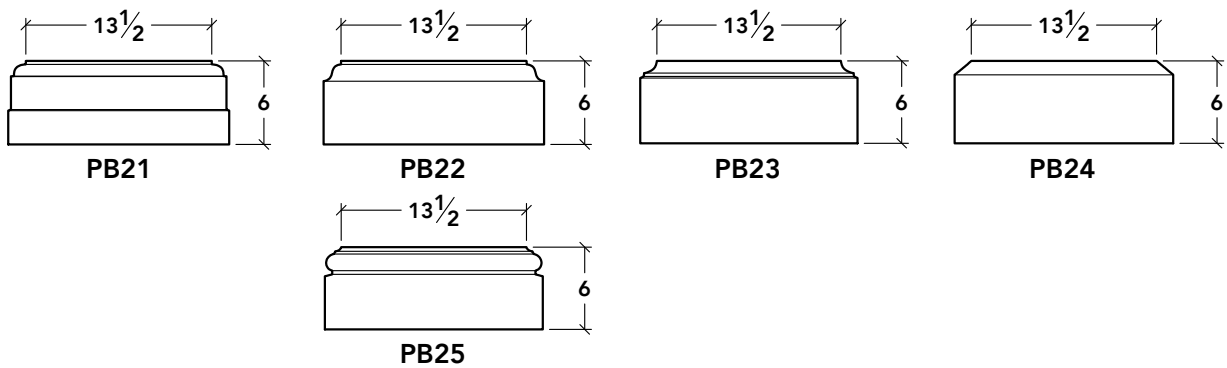
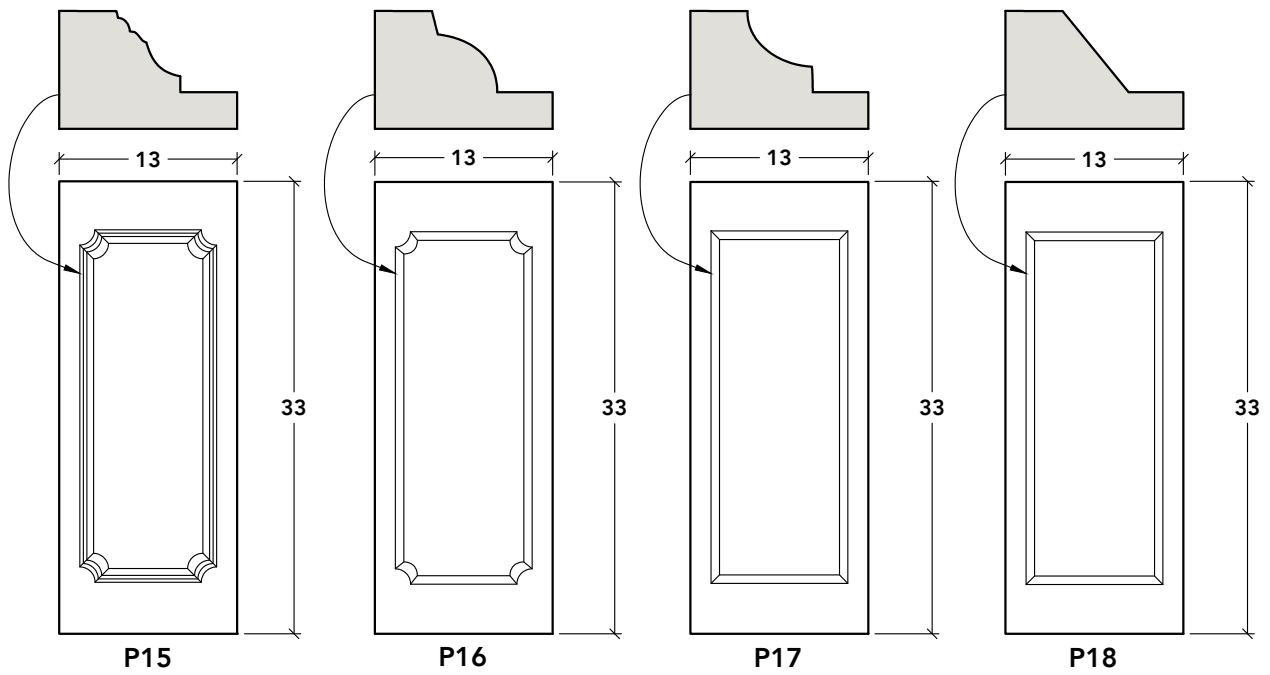
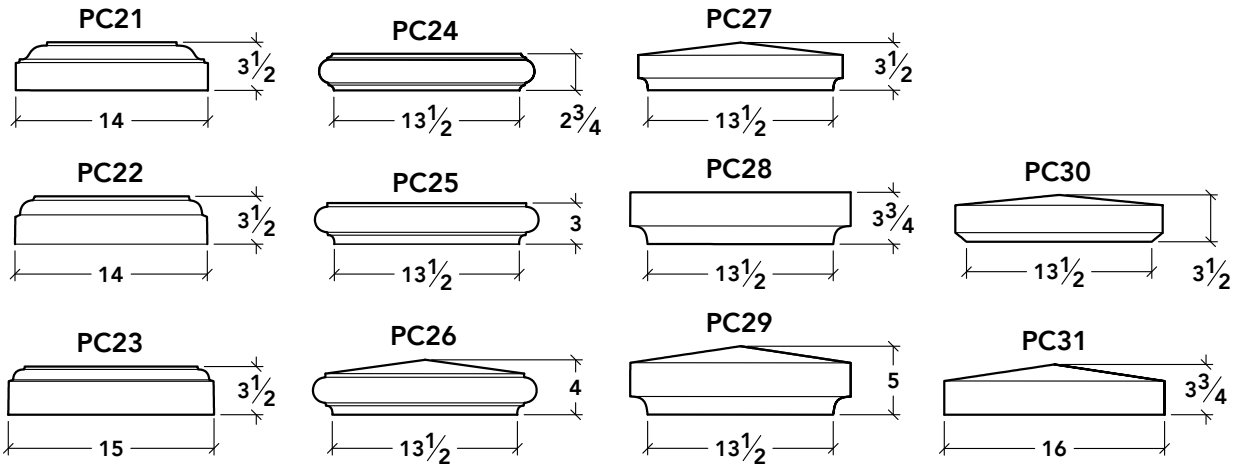
SCALE

**1:14**

SECTION

**PP1**

# PIER POSTS



**LANDMARK STONE**

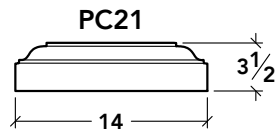
1630 KATHLEEN AVENUE, SACRAMENTO, CA 95815  
 916-548-8232 • contact@landmarkcaststone.com • www.landmarkcaststone.com

SCALE  
**1:14**

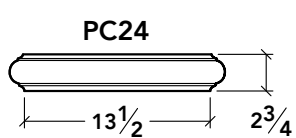
SECTION  
**PP2**



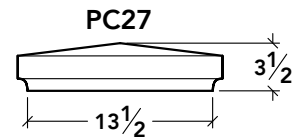
# PIER POSTS



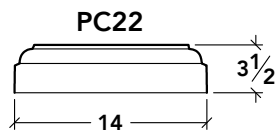
PC21



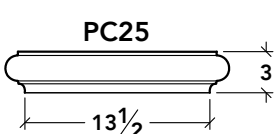
PC24



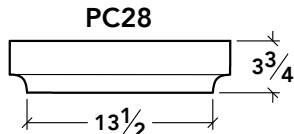
PC27



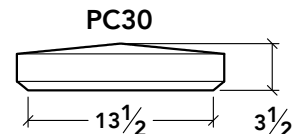
PC22



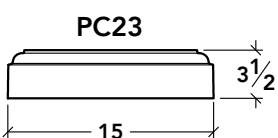
PC25



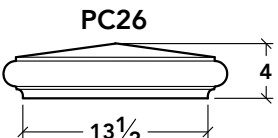
PC28



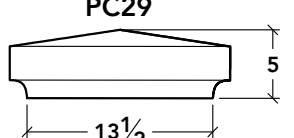
PC30



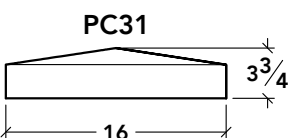
PC23



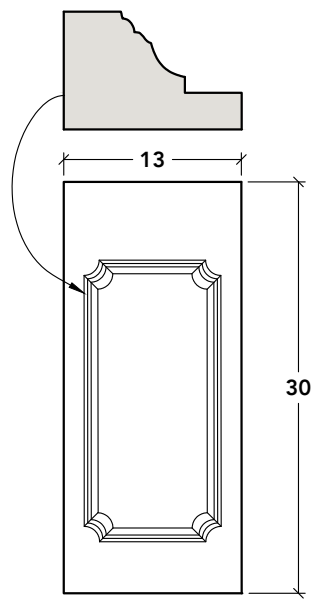
PC26



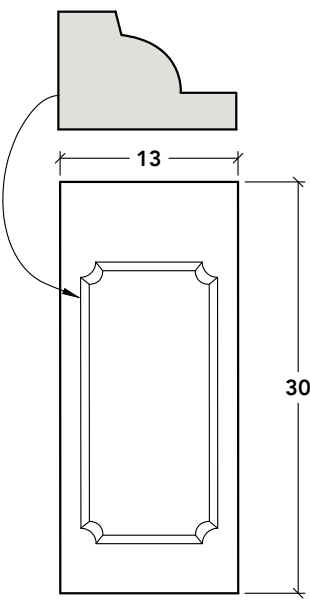
PC29



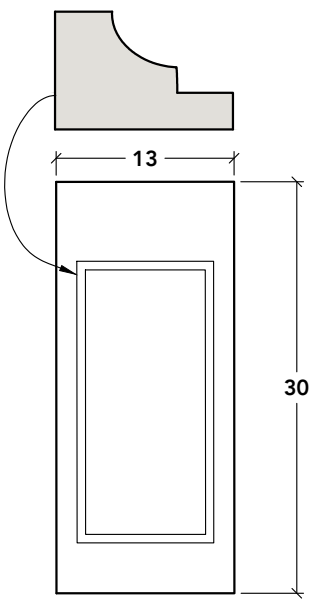
PC31



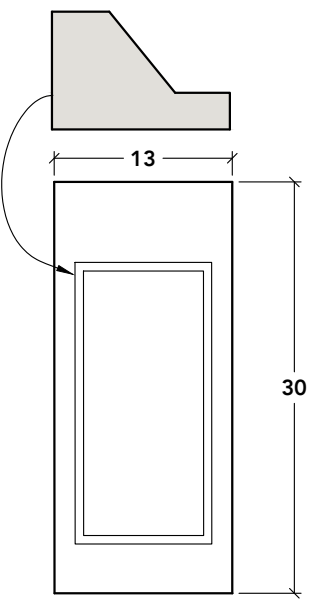
P19



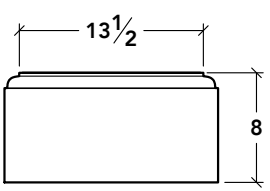
P20



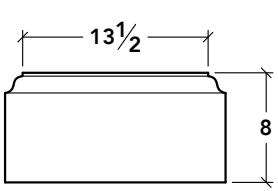
P21



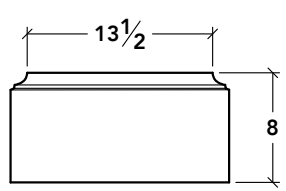
P22



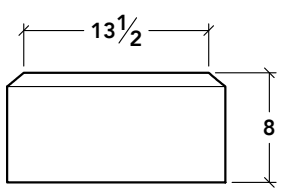
PB26



PB27



PB28



PB29

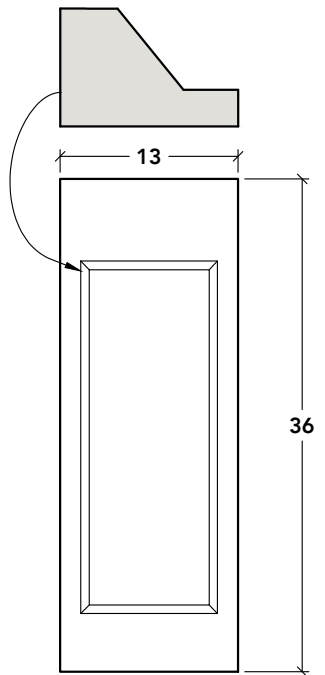
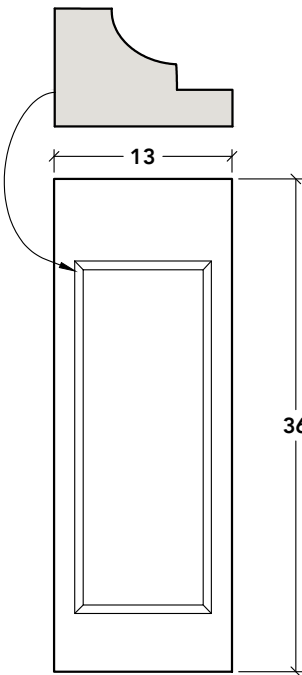
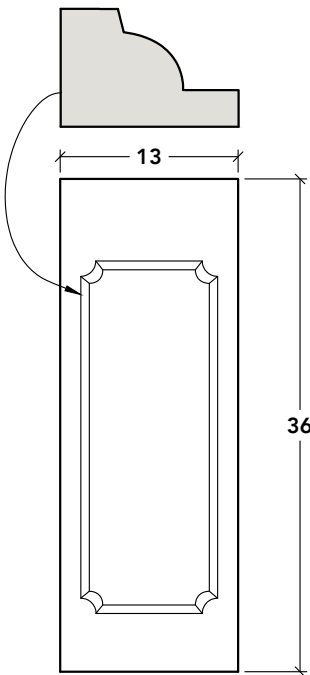
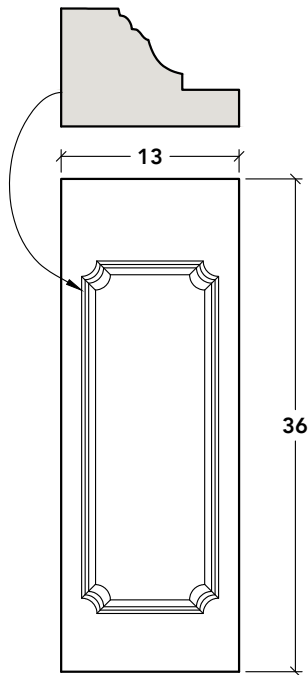
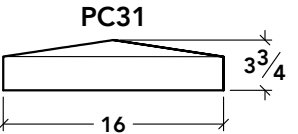
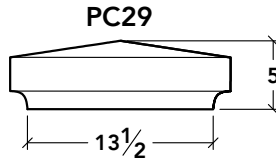
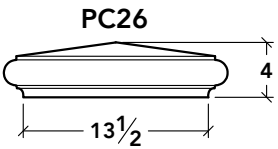
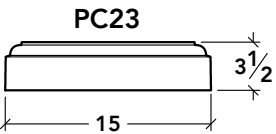
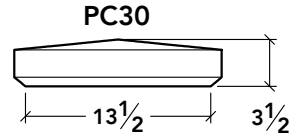
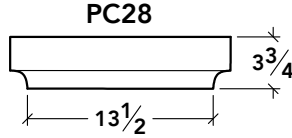
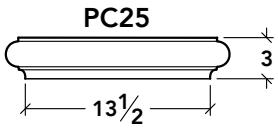
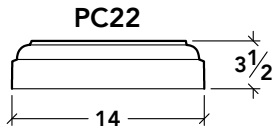
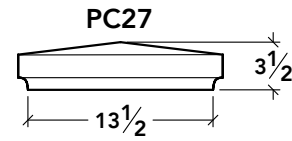
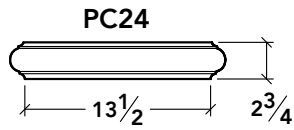
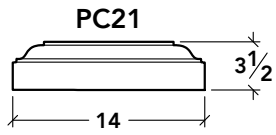
**LANDMARK STONE**

1630 KATHLEEN AVENUE, SACRAMENTO, CA 95815  
916-548-8232 • contact@landmarkcaststone.com • www.landmarkcaststone.com

SCALE  
**1:14**

SECTION  
**PP3**

# PIER POSTS

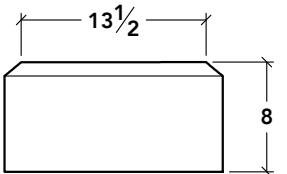
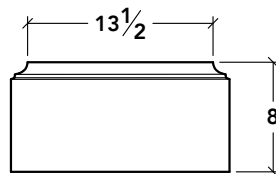
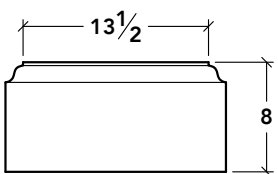
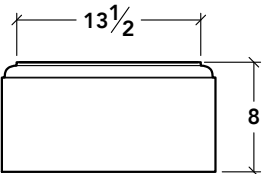


P23

P24

P25

P26



PB26

PB27

PB28

PB29

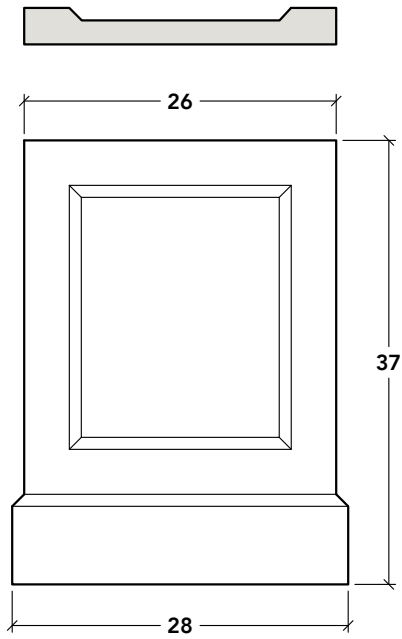
**LANDMARK STONE**

1630 KATHLEEN AVENUE, SACRAMENTO, CA 95815  
916-548-8232 • contact@landmarkcaststone.com • www.landmarkcaststone.com

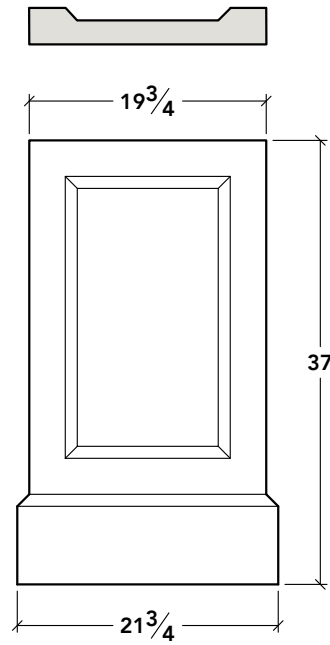
SCALE  
**1:14**

SECTION  
**PP4**

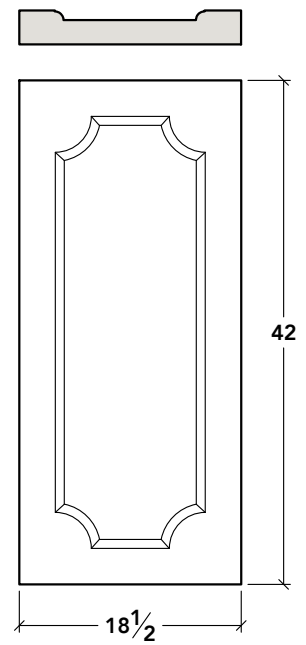
# PIER POSTS



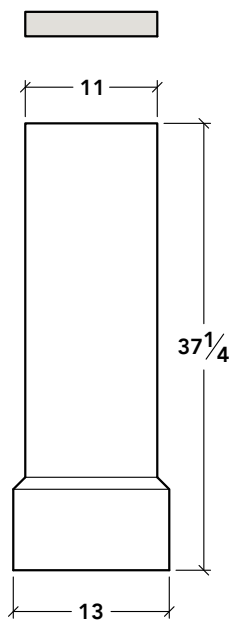
**P1**



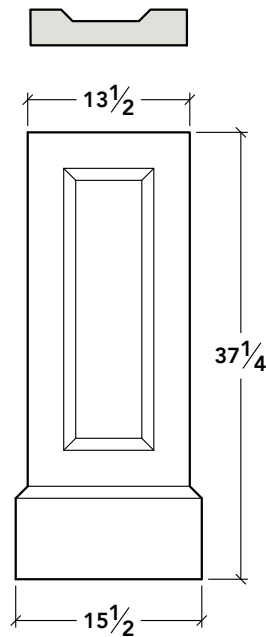
**P2**



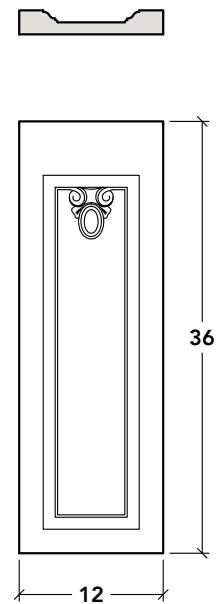
**P3**



**P4**



**P5**



**P6**

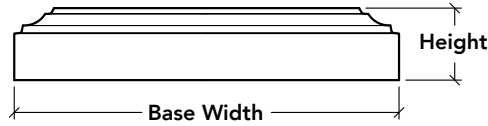
**LANDMARK STONE**

1630 KATHLEEN AVENUE, SACRAMENTO, CA 95815  
916-548-8232 • contact@landmarkcaststone.com • www.landmarkcaststone.com

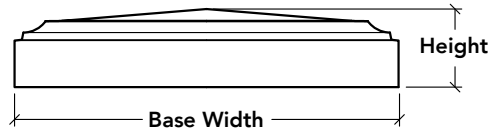
SCALE  
**1:14**

SECTION  
**PP4**

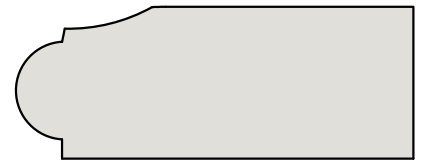
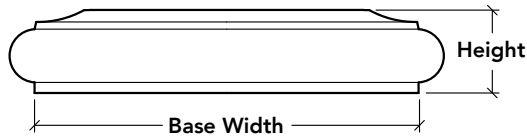
# PIER CAPS & BASES



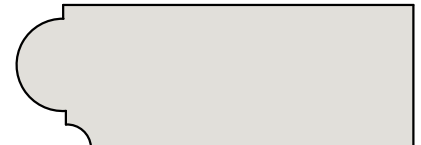
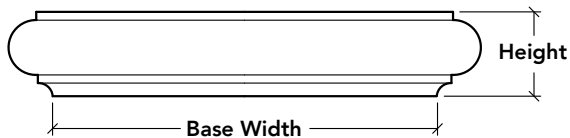
CODE	PC50a	PC50c	PC50e	PC50f	PC50h	PC50k	PC50r	PC50u	PC50w	PC50x	PC50z
BASE WIDTH	12	14.5	16.5	18	22	26.5	28	30	32	36	40
HEIGHT	3	3	3	3	3	3	3	3	3	3	3



CODE	PC51a	PC51c	PC51e	PC51f	PC51h	PC51k	PC51r	PC51u	PC51w	PC51x	PC51z
BASE WIDTH	12	14.5	16.5	18	22	26.5	28	30	32	36	40
HEIGHT	3 $\frac{1}{8}$	3 $\frac{1}{4}$	3 $\frac{1}{4}$	3 $\frac{3}{8}$	3 $\frac{1}{2}$	3 $\frac{5}{8}$	3 $\frac{3}{4}$	3 $\frac{7}{8}$	3 $\frac{7}{8}$	4 $\frac{1}{8}$	4 $\frac{1}{4}$



CODE	PC52a	PC52c	PC52e	PC52f	PC52h	PC52k	PC52r	PC52u	PC52w	PC52x	PC52z
BASE WIDTH	12	14.5	16.5	18	22	26.5	28	30	32	36	40
HEIGHT	3 $\frac{1}{2}$	3 $\frac{1}{2}$	3 $\frac{1}{2}$	3 $\frac{1}{2}$	3 $\frac{1}{2}$	3 $\frac{1}{2}$	3 $\frac{1}{2}$	3 $\frac{1}{2}$	3 $\frac{1}{2}$	3 $\frac{1}{2}$	3 $\frac{1}{2}$



CODE	PC53a	PC53c	PC53e	PC53f	PC53h	PC53k	PC53r	PC53u	PC53w	PC53x	PC53z
BASE WIDTH	12	14.5	16.5	18	22	26.5	28	30	32	36	40
HEIGHT	3 $\frac{1}{2}$	3 $\frac{1}{2}$	3 $\frac{1}{2}$	3 $\frac{1}{2}$	3 $\frac{1}{2}$	3 $\frac{1}{2}$	3 $\frac{1}{2}$	3 $\frac{1}{2}$	3 $\frac{1}{2}$	3 $\frac{1}{2}$	3 $\frac{1}{2}$

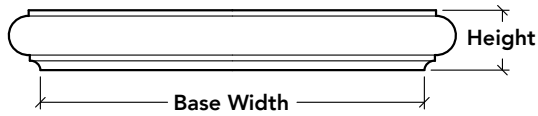
## LANDMARK STONE

1630 KATHLEEN AVENUE, SACRAMENTO, CA 95815  
916-548-8232 • contact@landmarkcaststone.com • www.landmarkcaststone.com

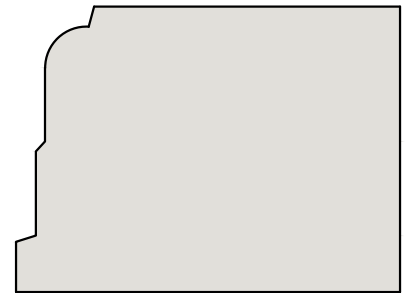
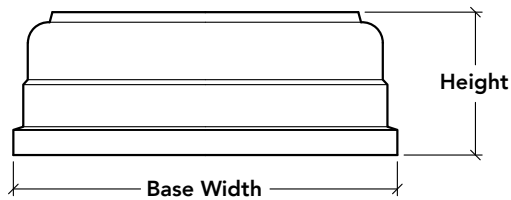
SCALE  
NTS

SECTION  
PCB1

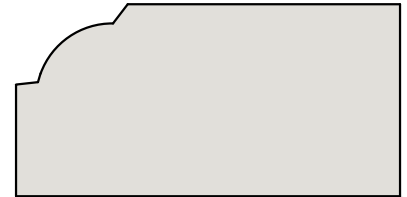
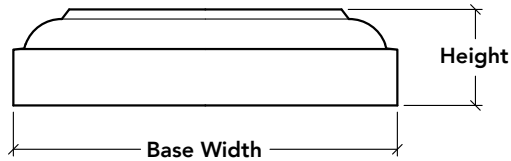
# PIER CAPS & BASES



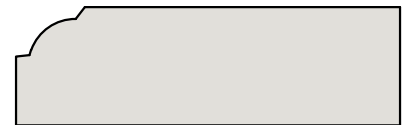
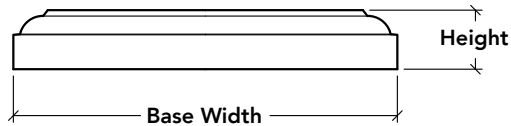
CODE	PC54a	PC54c	PC54e	PC54f	PC54h	PC54k	PC54r	PC54u	PC54w	PC54x	PC54z
<b>BASE WIDTH</b>	12	14.5	16.5	18	22	26.5	28	30	32	36	40
<b>HEIGHT</b>	2½	2½	2½	2½	2½	2½	2½	2½	2½	2½	2½



CODE	PC55a	PC55c	PC55e	PC55f	PC55h	PC55k	PC55r	PC55u	PC55w	PC55x	PC55z
<b>BASE WIDTH</b>	12	14.5	16.5	18	22	26.5	28	30	32	36	40
<b>HEIGHT</b>	6	6	6	6	6	6	6	6	6	6	6



CODE	PC56a	PC56c	PC56e	PC56f	PC56h	PC56k	PC56r	PC56u	PC56w	PC56x	PC56z
<b>BASE WIDTH</b>	12	14.5	16.5	18	22	26.5	28	30	32	36	40
<b>HEIGHT</b>	4	4	4	4	4	4	4	4	4	4	4



CODE	PC57a	PC57c	PC57e	PC57f	PC57h	PC57k	PC57r	PC57u	PC57w	PC57x	PC57z
<b>BASE WIDTH</b>	12	14.5	16.5	18	22	26.5	28	30	32	36	40
<b>HEIGHT</b>	2½	2½	2½	2½	2½	2½	2½	2½	2½	2½	2½

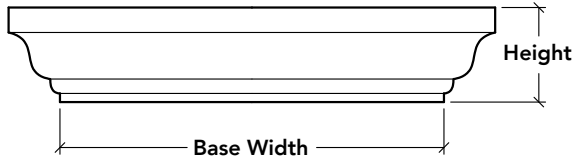
## LANDMARK STONE

1630 KATHLEEN AVENUE, SACRAMENTO, CA 95815  
 916-548-8232 • contact@landmarkcaststone.com • www.landmarkcaststone.com

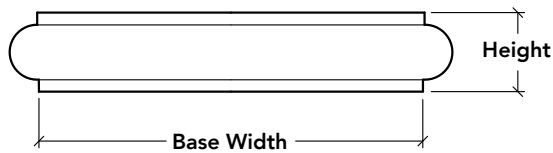
SCALE  
**NTS**

SECTION  
**PCB2**

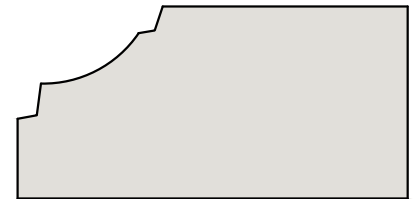
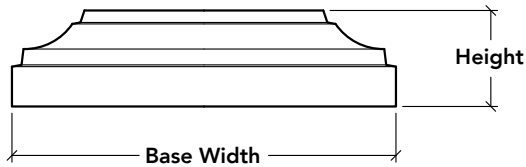
# PIER CAPS & BASES



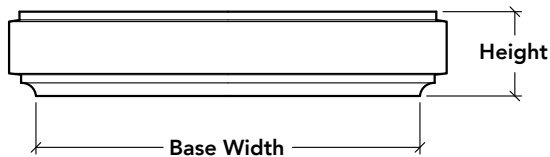
CODE	PC58a	PC58c	PC58e	PC58f	PC58h	PC58k	PC58r	PC58u	PC58w	PC58x	PC58z
BASE WIDTH	12	14.5	16.5	18	22	26.5	28	30	32	36	40
HEIGHT	4	4	4	4	4	4	4	4	4	4	4



CODE	PC59a	PC59c	PC59e	PC59f	PC59h	PC59k	PC59r	PC59u	PC59w	PC59x	PC59z
BASE WIDTH	12	14.5	16.5	18	22	26.5	28	30	32	36	40
HEIGHT	3¼	3¼	3¼	3¼	3¼	3¼	3¼	3¼	3¼	3¼	3¼



CODE	PC60a	PC60c	PC60e	PC60f	PC60h	PC60k	PC60r	PC60u	PC60w	PC60x	PC60z
BASE WIDTH	12	14.5	16.5	18	22	26.5	28	30	32	36	40
HEIGHT	4	4	4	4	4	4	4	4	4	4	4



CODE	PC61a	PC61c	PC61e	PC61f	PC61h	PC61k	PC61r	PC61u	PC61w	PC61x	PC61z
BASE WIDTH	12	14.5	16.5	18	22	26.5	28	30	32	36	40
HEIGHT	3½	3½	3½	3½	3½	3½	3½	3½	3½	3½	3½

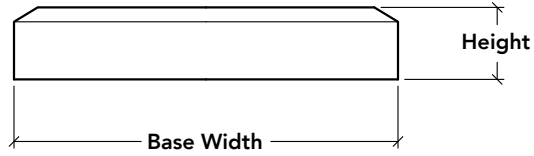
## LANDMARK STONE

1630 KATHLEEN AVENUE, SACRAMENTO, CA 95815  
 916-548-8232 • contact@landmarkcaststone.com • www.landmarkcaststone.com

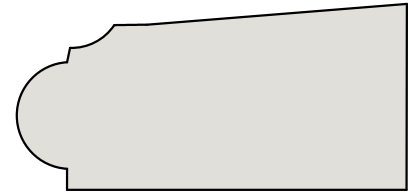
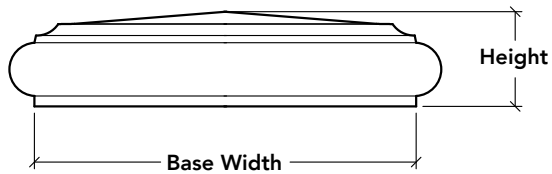
SCALE  
**NTS**

SECTION  
**PCB3**

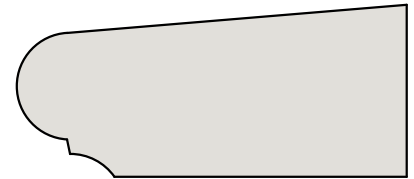
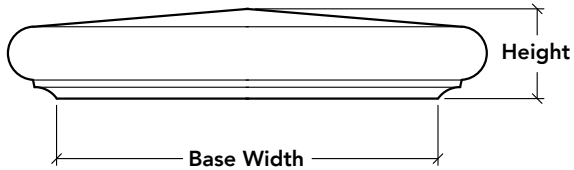
# PIER CAPS & BASES



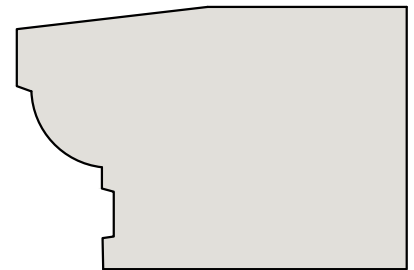
CODE	PC62a	PC62c	PC62e	PC62f	PC62h	PC62k	PC62r	PC62u	PC62w	PC62x	PC62z
BASE WIDTH	12	14.5	16.5	18	22	26.5	28	30	32	36	40
HEIGHT	4	4	4	4	4	4	4	4	4	4	4



CODE	PC70a	PC70c	PC70e	PC70f	PC70h	PC70k	PC70r
BASE WIDTH	14.5	16.5	18	24.5	26	30	36
HEIGHT	3 7/8	4	4	4 1/4	4 3/8	4 1/2	4 3/4



CODE	PC71a	PC71c	PC71e	PC71f	PC71h	PC71k	PC71r
BASE WIDTH	14.5	16.5	18	24.5	26	30	36
HEIGHT	3 5/8	3 3/4	3 7/8	4 1/8	4 1/8	4 3/8	4 5/8



CODE	PC72a	PC72c	PC72e	PC72f	PC72h	PC72k	PC72r
BASE WIDTH	14.5	16.5	18	24.5	26	30	36
HEIGHT	5 1/2	5 1/2	5 1/2	5 1/2	5 1/2	5 1/2	5 1/2

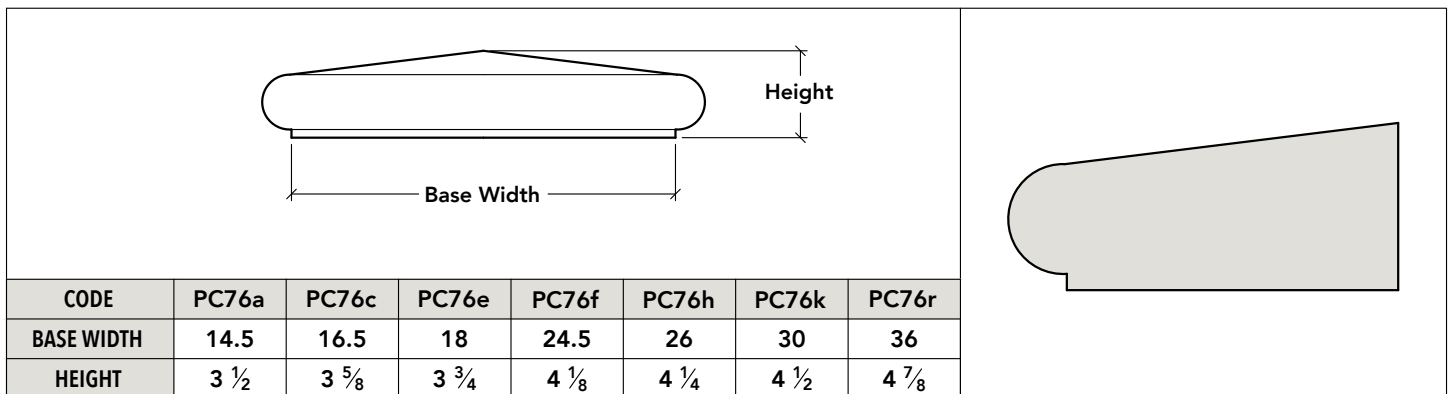
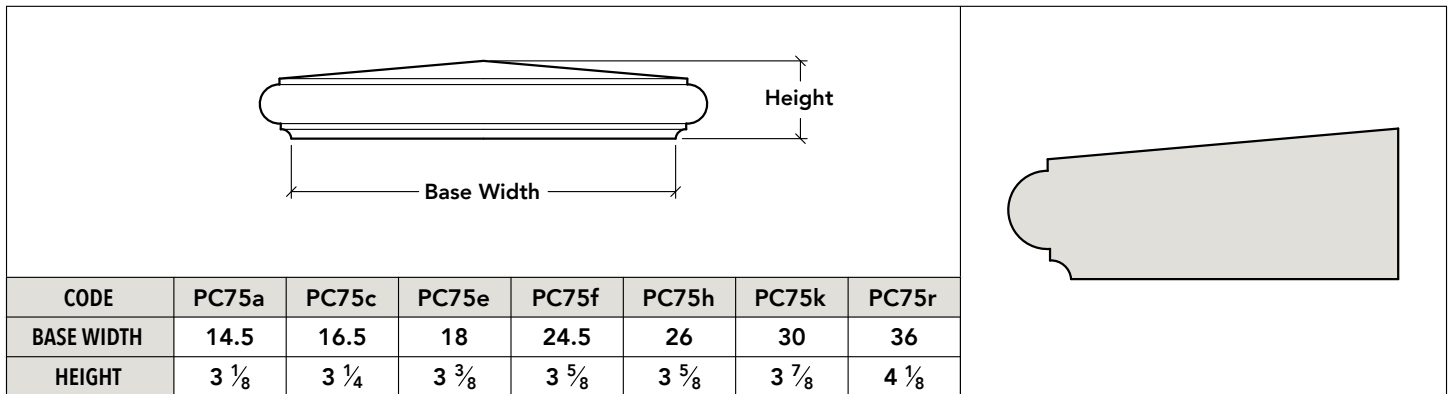
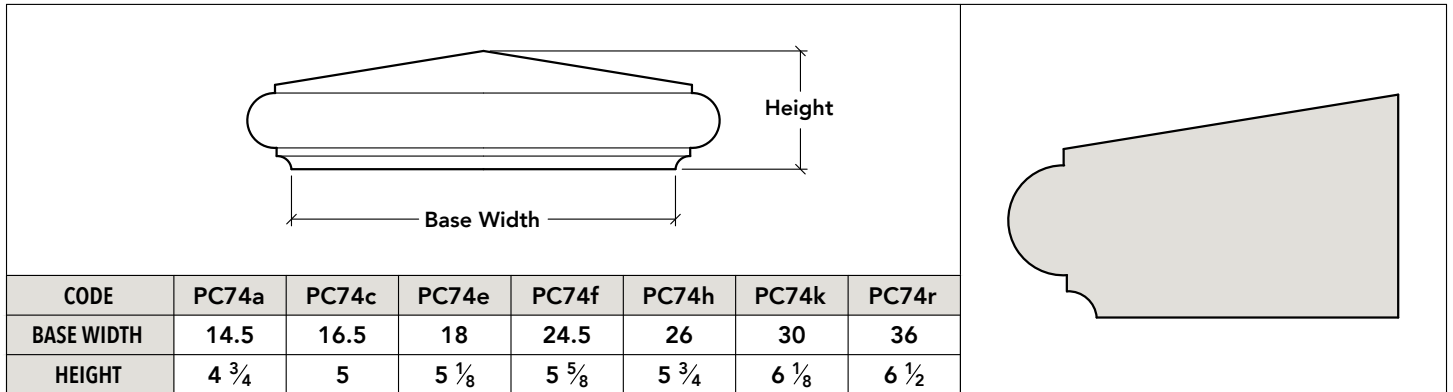
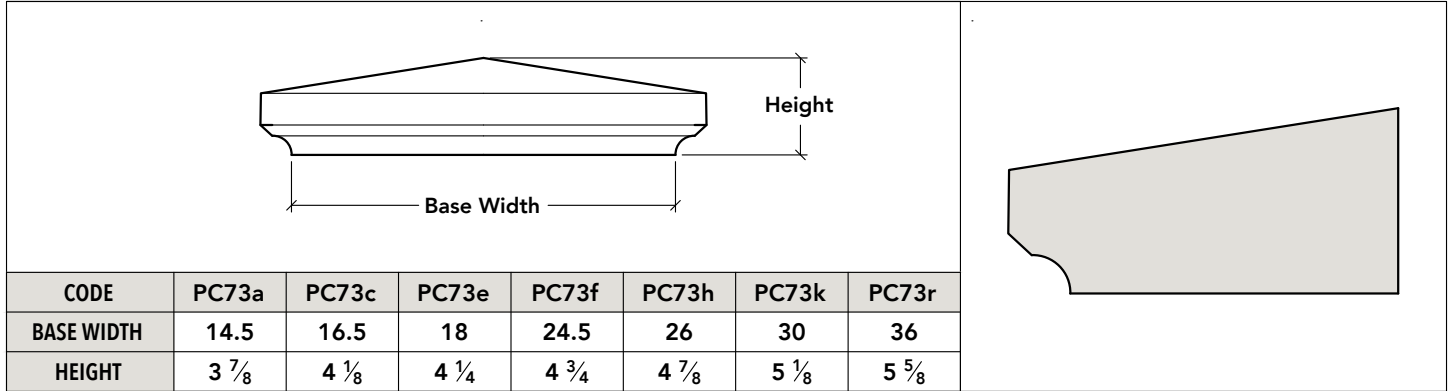
## LANDMARK STONE

1630 KATHLEEN AVENUE, SACRAMENTO, CA 95815  
 916-548-8232 • contact@landmarkcaststone.com • www.landmarkcaststone.com

SCALE  
**NTS**

SECTION  
**PCB4**

# PIER CAPS & BASES



## LANDMARK STONE

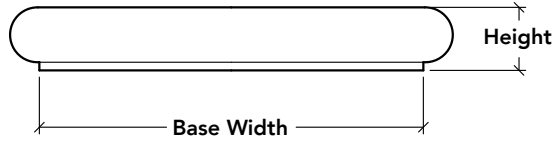
1630 KATHLEEN AVENUE, SACRAMENTO, CA 95815  
 916-548-8232 • contact@landmarkcaststone.com • www.landmarkcaststone.com

SCALE  
**NTS**

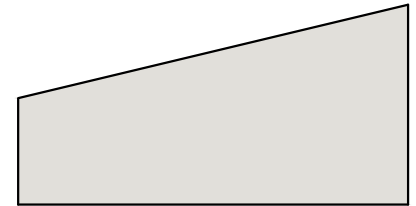
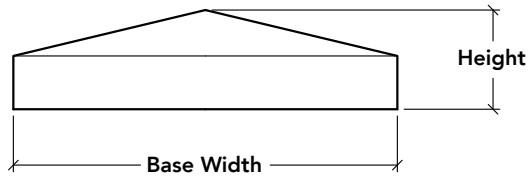
SECTION  
**PCB5**



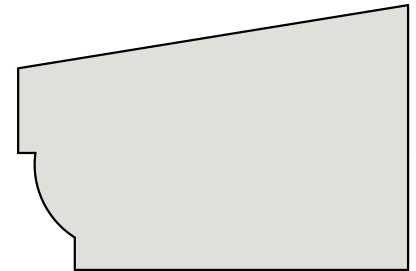
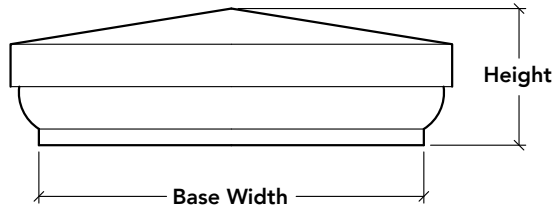
# PIER CAPS & BASES



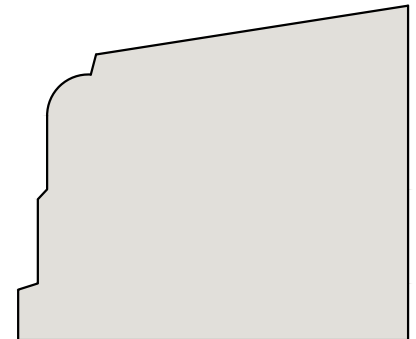
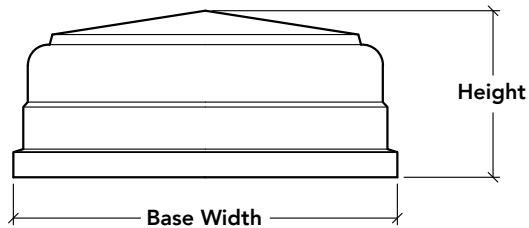
CODE	PC77a	PC77c	PC77e	PC77f	PC77h	PC77k	PC77r
BASE WIDTH	14.5	16.5	18	24.5	26	30	36
HEIGHT	2 5/8	2 5/8	2 5/8	2 5/8	2 5/8	2 5/8	2 5/8



CODE	PC78a	PC78c	PC78e	PC78f	PC78h	PC78k	PC78r
BASE WIDTH	14.5	16.5	18	24.5	26	30	36
HEIGHT	4	4 1/4	4 3/8	5 1/8	5 3/8	5 3/4	6 1/2



CODE	PC80a	PC80c	PC80e	PC80f	PC80h	PC80k
BASE WIDTH	16.5	18	26	30	36	40
HEIGHT	5 3/4	5 7/8	6 1/2	6 7/8	7 1/4	7 5/8



CODE	PC81a	PC81c	PC81e	PC81f	PC81h	PC81k
BASE WIDTH	16.5	18	26	30	36	40
HEIGHT	7	7 1/8	3 3/4	8	8 1/2	8 7/8

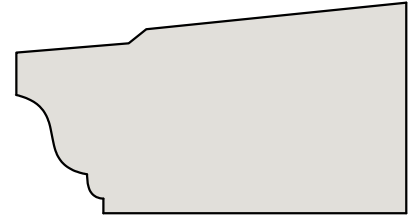
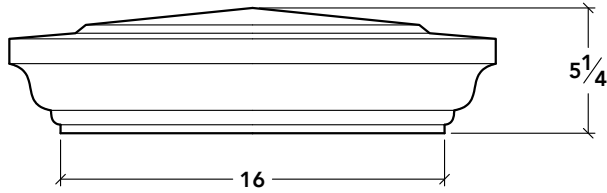
## LANDMARK STONE

1630 KATHLEEN AVENUE, SACRAMENTO, CA 95815  
 916-548-8232 • contact@landmarkcaststone.com • www.landmarkcaststone.com

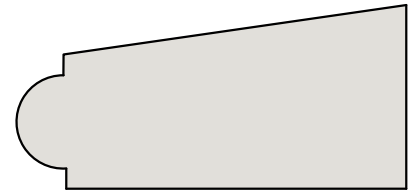
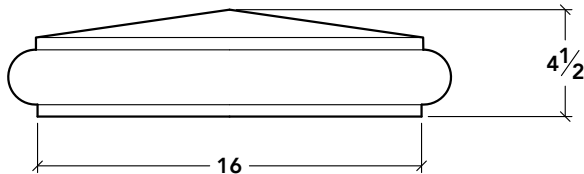
SCALE  
**NTS**

SECTION  
**PCB6**

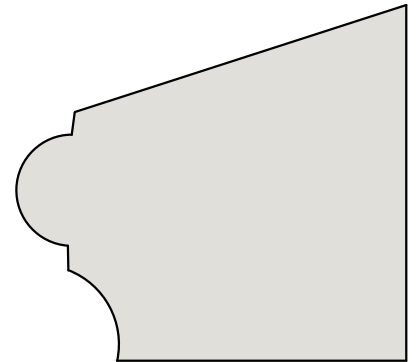
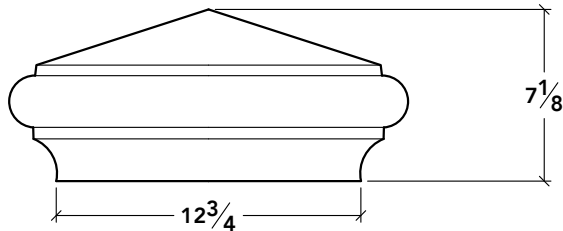
# PIER CAPS & BASES



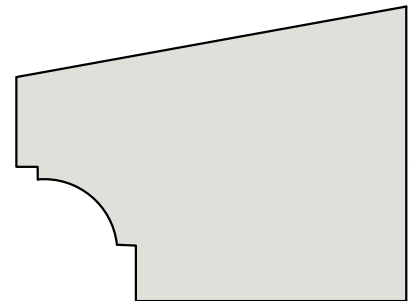
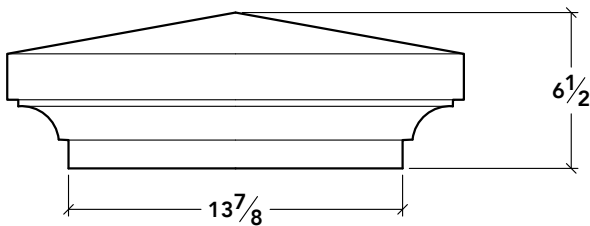
CODE	PC82a	PC82c	PC82e	PC82f	PC82h	PC82k
BASE WIDTH	16.5	18	26	30	36	40
HEIGHT	5 1/4	5 3/8	5 3/4	5 7/8	6 1/4	6 1/2



CODE	PC83a	PC83c	PC83e	PC83f	PC83h	PC83k
BASE WIDTH	16.5	18	26	30	36	40
HEIGHT	4 1/2	4 5/8	5 1/8	5 1/2	5 7/8	6 1/8



CODE	PC84a	PC84c	PC84e	PC84f	PC84h	PC84k
BASE WIDTH	16.5	18	26	30	36	40
HEIGHT	9 1/8	9 3/8	10 5/8	11 1/4	12 1/4	12 7/8



CODE	PC85a	PC85c	PC85e	PC85f	PC85h	PC85k
BASE WIDTH	16.5	18	26	30	36	40
HEIGHT	6 3/4	6 7/8	7 5/8	8	8 1/2	8 7/8

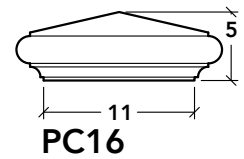
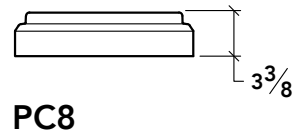
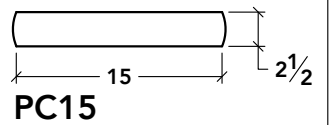
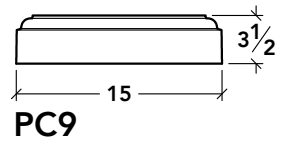
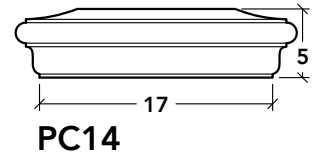
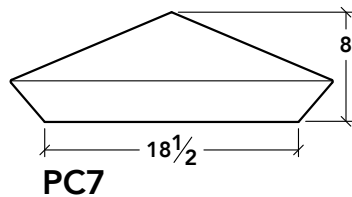
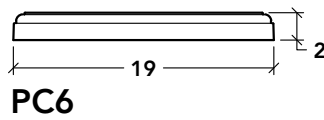
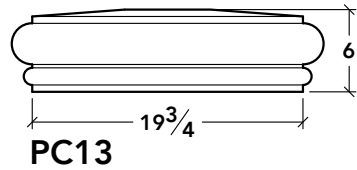
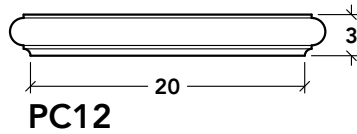
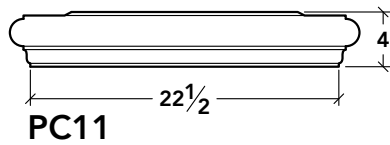
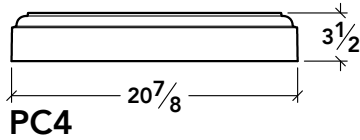
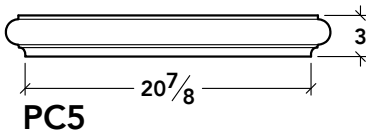
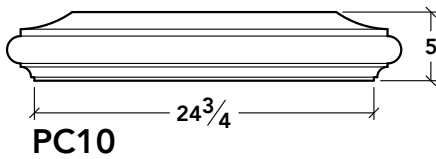
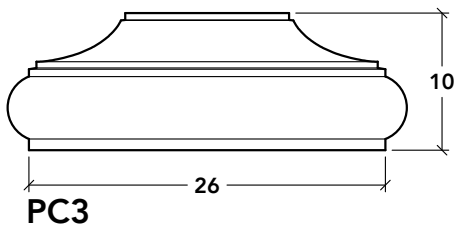
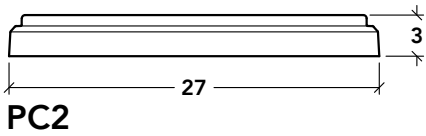
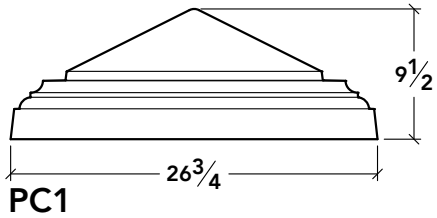
## LANDMARK STONE

1630 KATHLEEN AVENUE, SACRAMENTO, CA 95815  
 916-548-8232 • contact@landmarkcaststone.com • www.landmarkcaststone.com

SCALE  
**NTS**

SECTION  
**PCB7**

# PIER CAPS & BASES



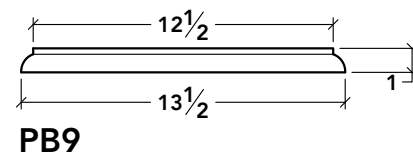
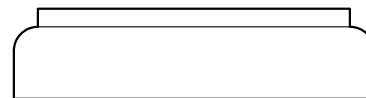
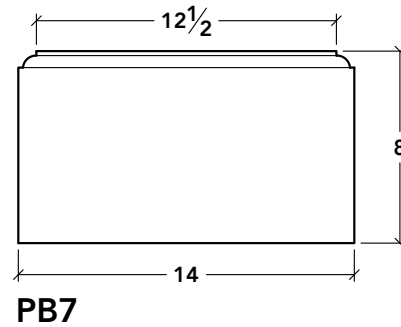
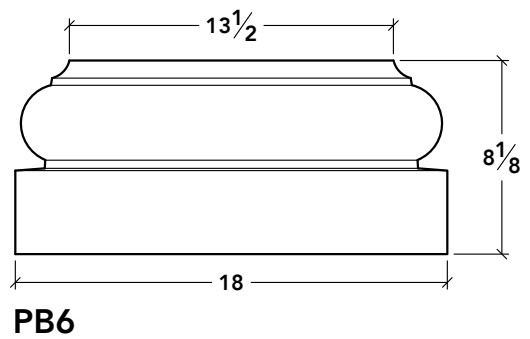
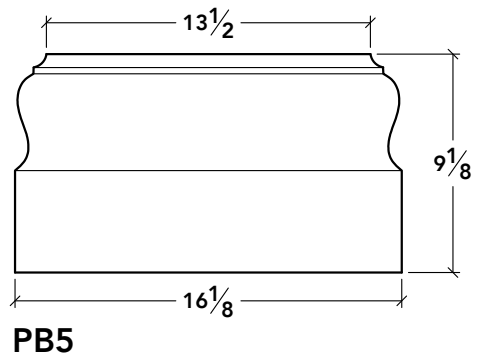
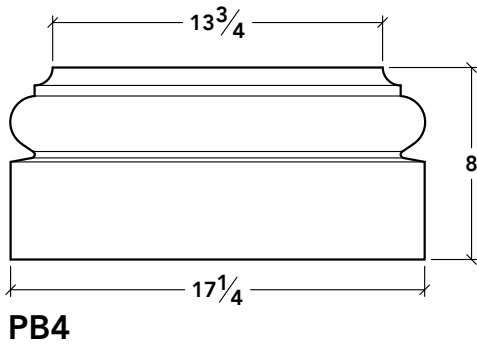
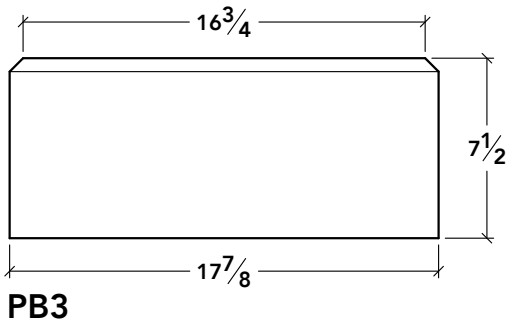
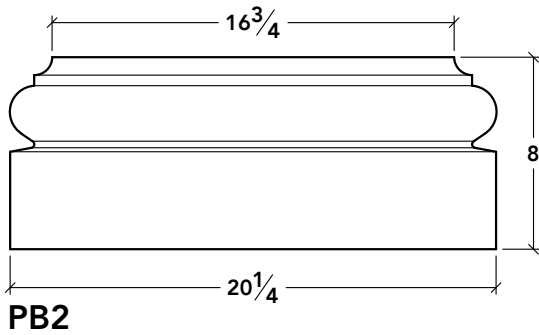
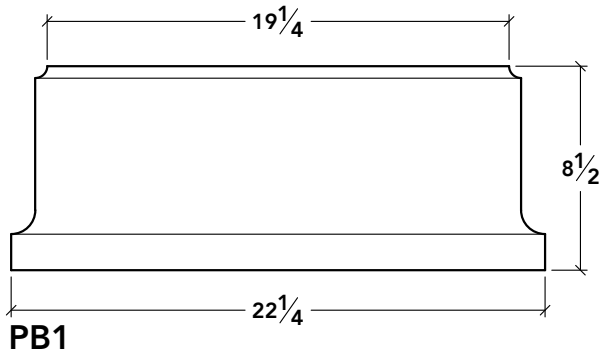
**LANDMARK STONE**

1630 KATHLEEN AVENUE, SACRAMENTO, CA 95815  
916-548-8232 • contact@landmarkcaststone.com • www.landmarkcaststone.com

SCALE  
**1:14**

SECTION  
**PCB8**

# PIER CAPS & BASES



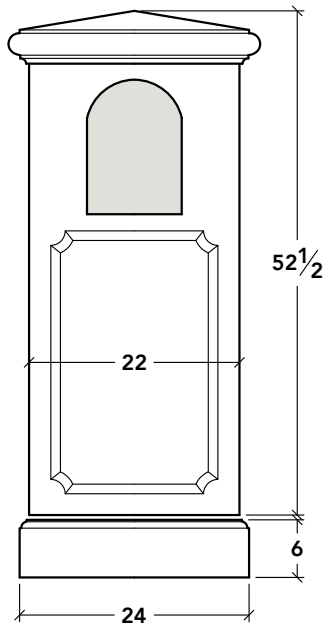
**LANDMARK STONE**

1630 KATHLEEN AVENUE, SACRAMENTO, CA 95815  
916-548-8232 • contact@landmarkcaststone.com • www.landmarkcaststone.com

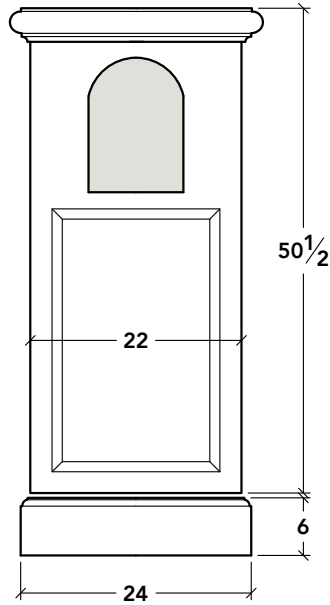
SCALE  
**1:8**

SECTION  
**PCB9**

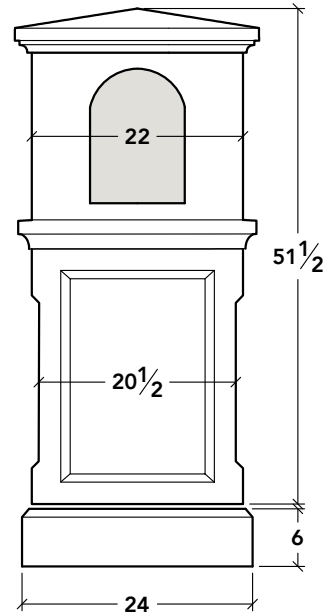
# MAILBOX PIERS



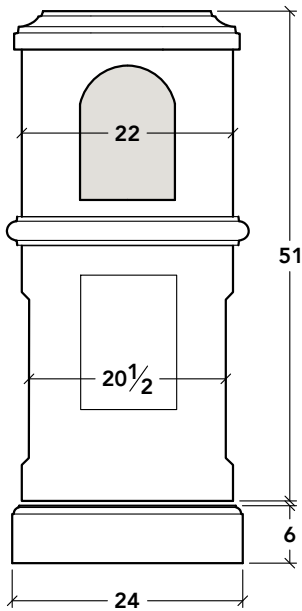
**MBX-1**



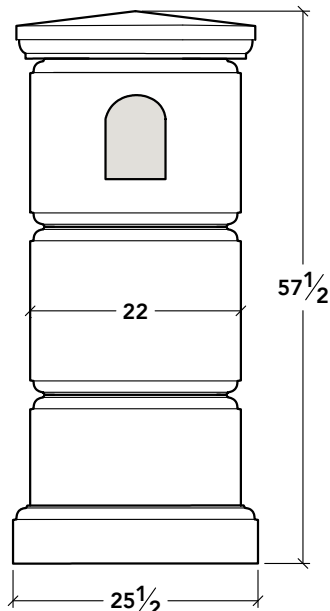
**MBX-2**



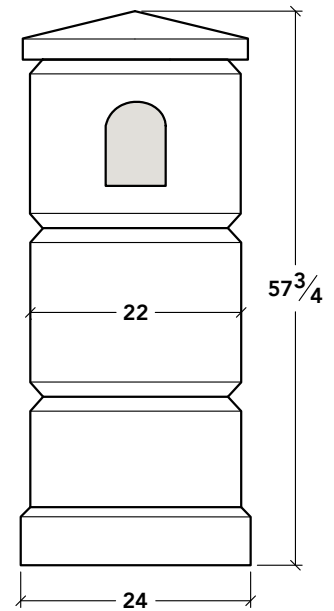
**MBX-3**



**MBX-4**



**MBX-5**



**MBX-6**

**LANDMARK STONE**

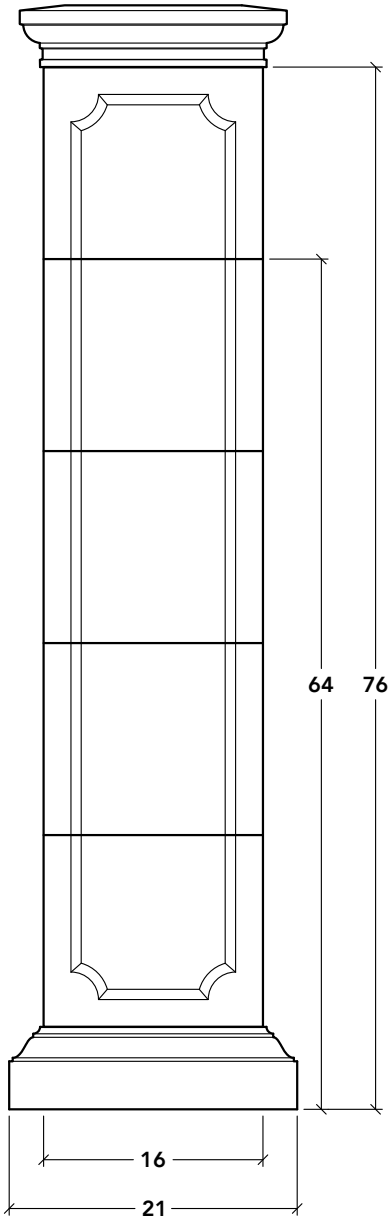
1630 KATHLEEN AVENUE, SACRAMENTO, CA 95815  
916-548-8232 • contact@landmarkcaststone.com • www.landmarkcaststone.com

SCALE  
**1:20**

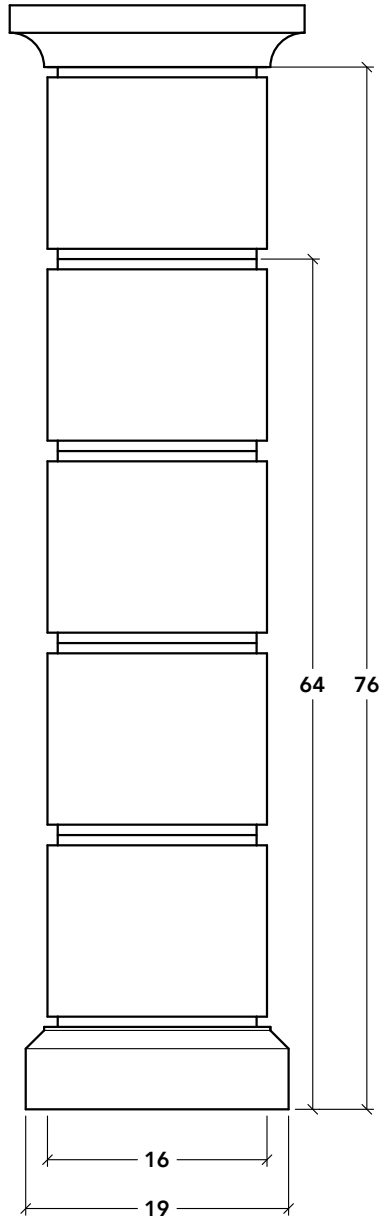
SECTION  
**MBX1**

# FENCE PIERS

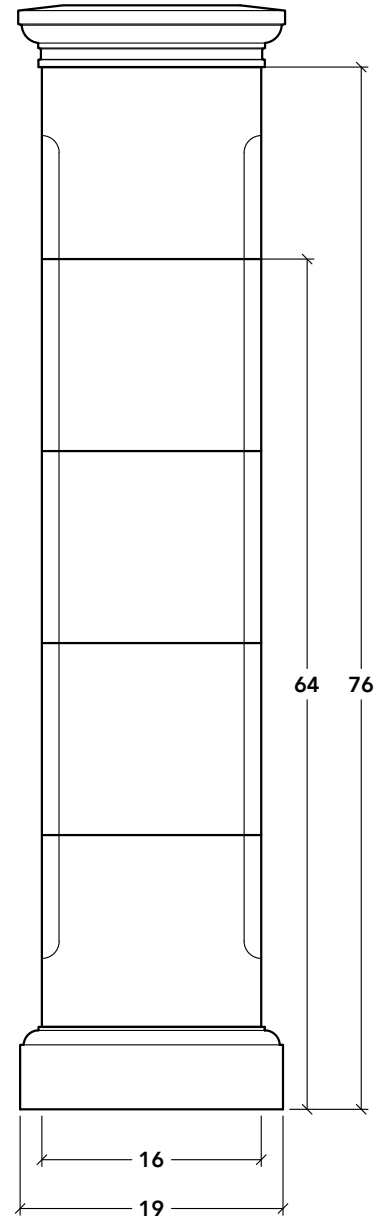
FP1



FP2



FP3



**LANDMARK STONE**

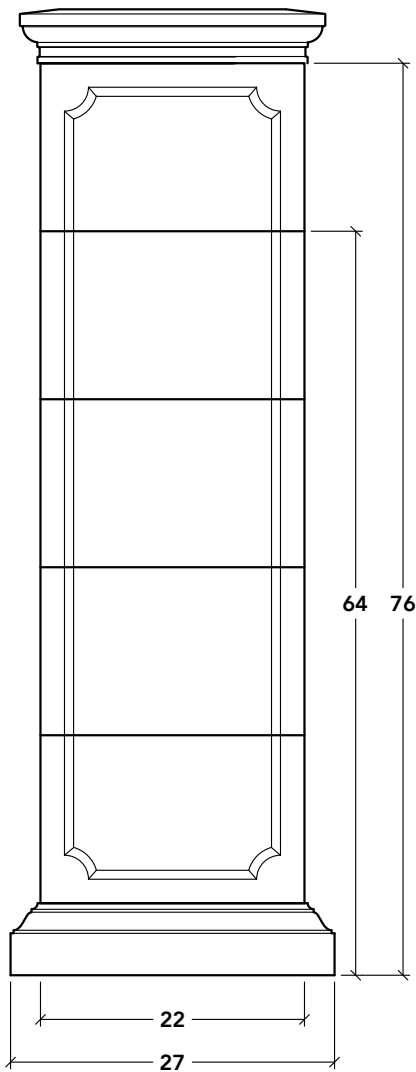
1630 KATHLEEN AVENUE, SACRAMENTO, CA 95815  
916-548-8232 • contact@landmarkcaststone.com • www.landmarkcaststone.com

SCALE  
**1:14**

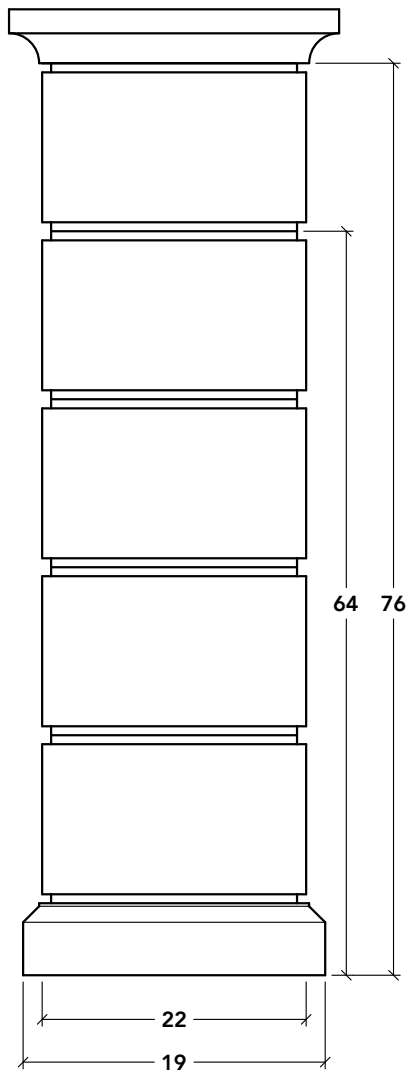
SECTION  
**FP1**

# FENCE PIERS

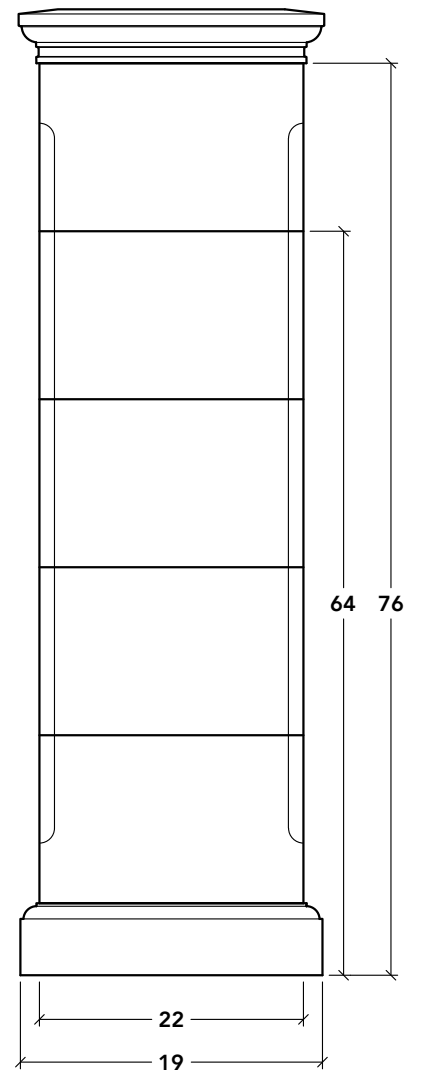
FP4



FP5



FP6



**LANDMARK STONE**

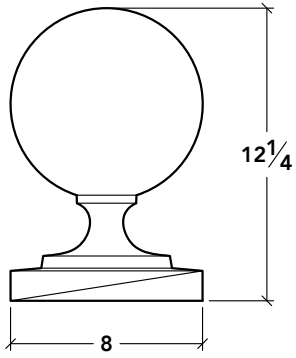
1630 KATHLEEN AVENUE, SACRAMENTO, CA 95815

916-548-8232 • [contact@landmarkcaststone.com](mailto:contact@landmarkcaststone.com) • [www.landmarkcaststone.com](http://www.landmarkcaststone.com)

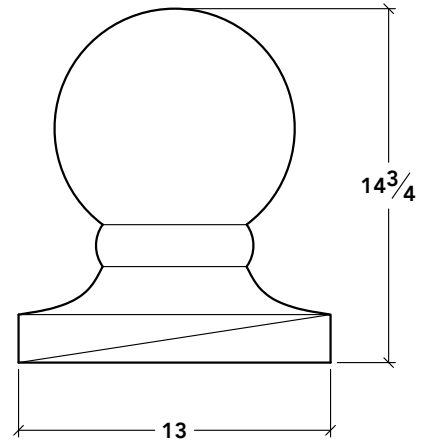
SCALE  
**1:16**

SECTION  
**FP2**

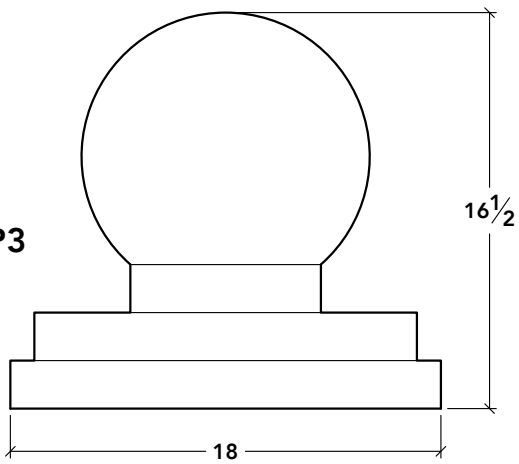
SP1



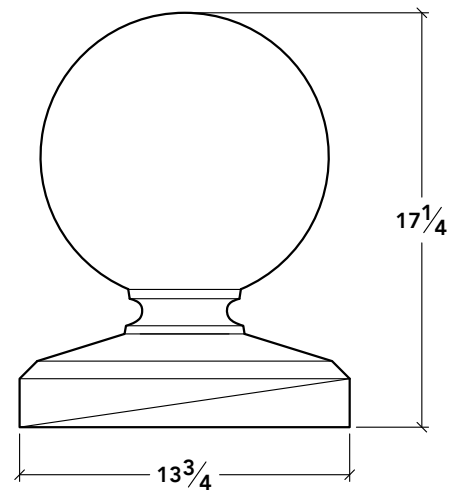
SP2



SP3



SP4



**LANDMARK STONE**

1630 KATHLEEN AVENUE, SACRAMENTO, CA 95815  
 916-548-8232 • contact@landmarkcaststone.com • www.landmarkcaststone.com

SCALE

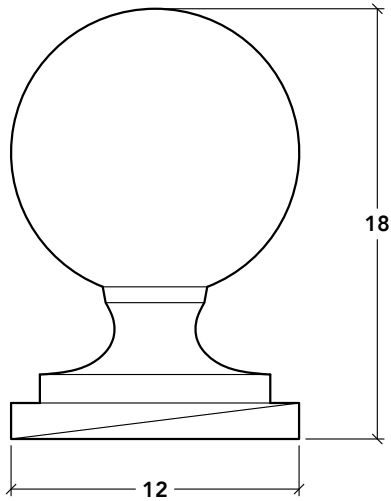
**1:8**

SECTION

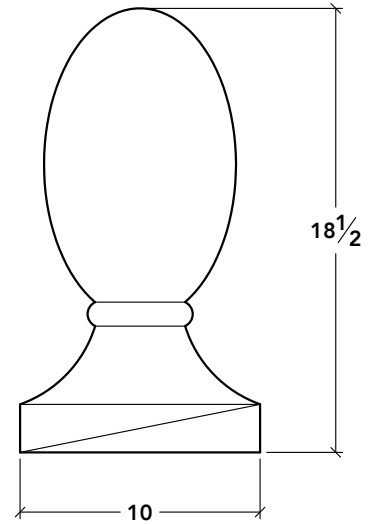
**FIN1**



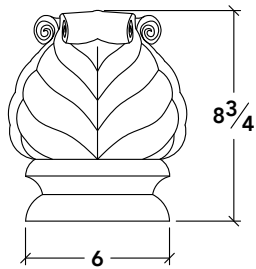
SP5



SP6



SP7



**LANDMARK STONE**

1630 KATHLEEN AVENUE, SACRAMENTO, CA 95815  
916-548-8232 • contact@landmarkcaststone.com • www.landmarkcaststone.com

SCALE

**1:8**

SECTION

**FIN2**